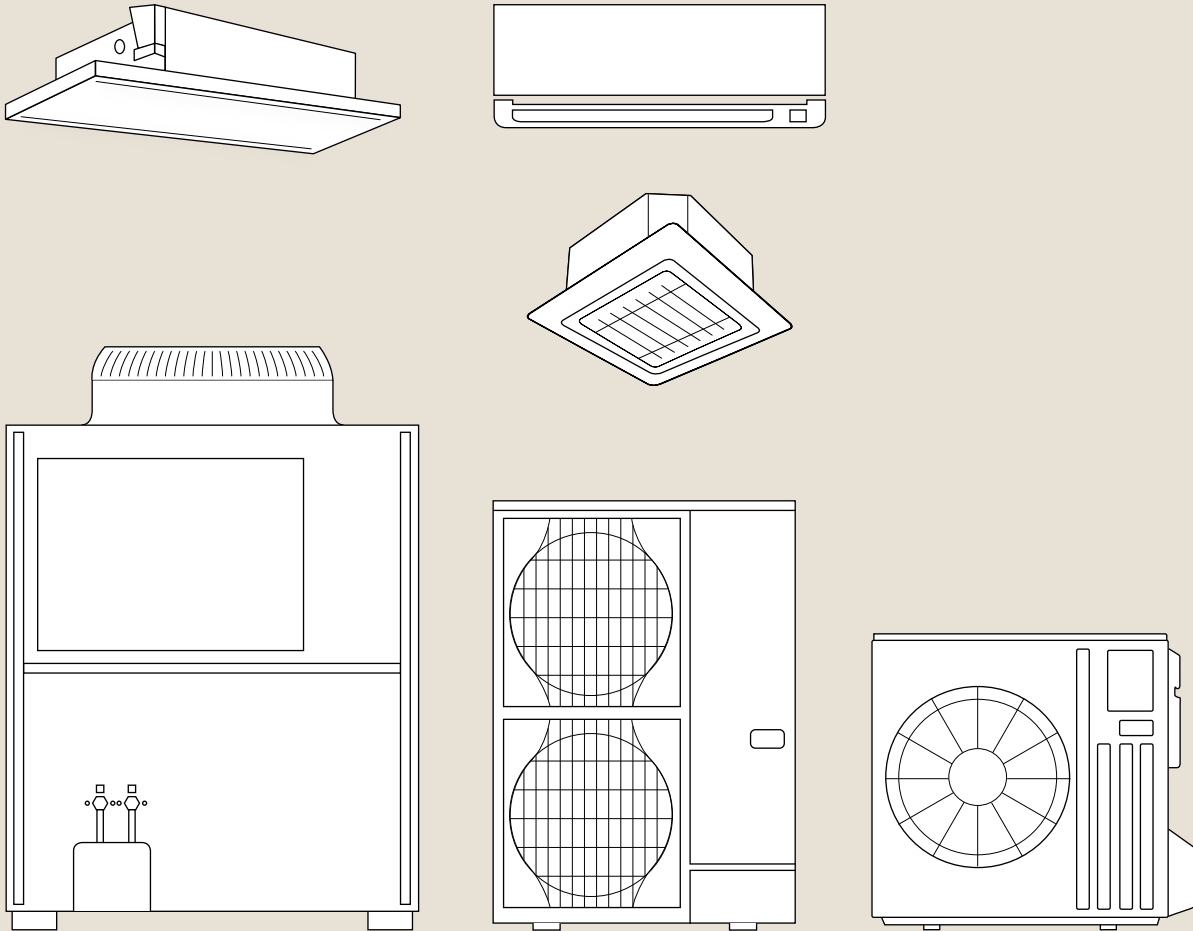
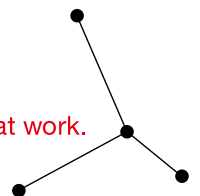


Living Environment Systems



Technical information

Appendix air conditioning and ventilation programme 2023/2024



Mitsubishi Electric LES
provides specialist knowledge
for shared success:

listening and understanding.
Developing intelligent products.
Providing skilled advice.
Discovering trends.
Shaping the future.
Turning expertise into solutions.

Knowledge at work.





Series

// M-Serie

// Mr. Slim

// Lossnay





Contents

1. M-series

1.1	Electrical connection diagram for M-series inverter systems	06
1.2	Electrical connection diagram PUMY	06
1.3	Electrical connection diagram M-series single-split inverter	06
1.4	Electrical connection diagram MXZ multi-split inverter, 2-6 indoor units	06
1.5	MSZ-LN18-60VG2 R/V/W/B	07
1.6	MSZ EF18-50VGK W/B/S	08
1.7	MSZ-AP15/20VGK	09
1.8	MSZ-AY25-50VGK	10
1.9	MSZ-AP60/71VGK	11
1.10	MFZ-KT25-60VG	12
1.11	SFZ-M25-71VA	13
1.12	SFZ-M25-71VA	14
1.13	MLZ-KY20VG	15
1.14	MLZ-KP25-50VF	16
1.15	SLZ-M15-60FA2	17
1.16	SEZ-M25-71DA2	18
1.17	MUZ-LN25/35VG2	19
1.18	MUZ-LN50VG2	20
1.19	MUZ-LN60VG	21
1.20	MUZ-EF25-42VG	22
1.21	MUZ-EF50VG	23
1.22	MUZ-AP20VG	24
1.23	MUZ-AY25-42VG	25
1.24	MUZ-AY50VG	26
1.25	MUZ-AP60/71VG	27
1.26	SUZ-M25/35VA	28
1.27	SUZ-M50VA	29
1.28	SUZ-M60/71VA	30
1.29	MXZ-2F33-53VF4	31
1.30	MXZ-3F54/68VF34	32
1.31	MXZ-4F72/80VF34	33
1.32	MXZ-4F83VF2	34
1.33	MXZ-5F102VF2	35
1.34	MXZ-6F120VF2	36
1.35	PUMY-P112-140VKM6/YKM5	37
1.36	PUMY-SP112-140VKM/YKM	38
1.37	PAC-MK34BC	39
1.38	PAC-MK54BC	40
1.39	PAC-LV11M-J	41

2. Mr. Slim

2.1	Electrical connection diagram for Mr. Slim inverter systems	42
2.2	SLZ-M35-60FA2	43
2.3	PLA-ZM/M35-140EA2	44
2.4	PCA-M35/50KA2	45
2.5	PCA-M60/71KA2	46
2.6	PCA-M100-140KA2	47
2.7	PCA-M71HA2	48
2.8	PKA-M35/50LAL2	49
2.9	PKA-M60-100KAL2	50
2.10	PSA-M71-140KA	51
2.11	SEZ-M35DA-71DA2	52
2.12	PEAD-M35-140JA2	53
2.13	PEA-M200 / 250LA	54
2.14	PUZ-ZM35/50VKA2	55
2.15	PUZ-ZM60/71VHA2	56
2.16	PUZ-ZM100-140VKA/YKA2	57
2.17	PUHZ-ZRP100-140VKA/YKA2/ PUZ-ZM200/250YKA2	58
2.18	PUHZ-SHW112/140VHA-A/YHA-A	59
2.19	SUZ-M35VA	60
2.20	SUZ-M50VA	61
2.21	SUZ-M60/71VA	62
2.22	PUZ-M100-140VKA/YKA2	63
2.23	PUZ-M200/250YKA2	64

3. Lossnay

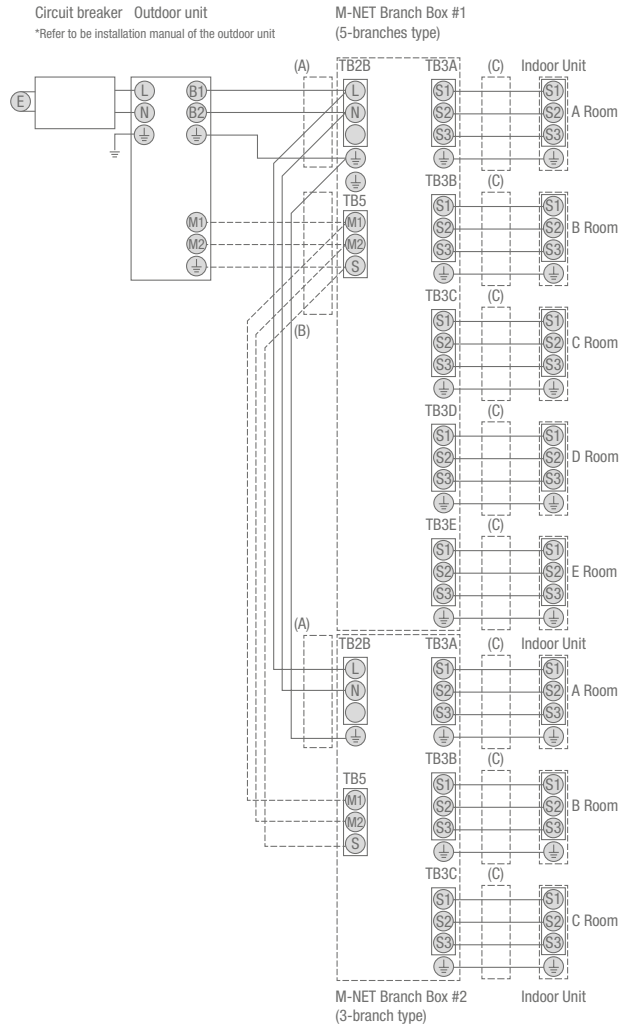
3.1	LGH-50/80/100RVS-E	66
3.2	LGH-15RVX-E	67
3.3	LGH-25RVX-E	68
3.4	LGH35-RVX-E	69
3.5	LGH50-RVX-E	70
3.6	LGH65-RVX-E	71
3.7	LGH80-RVX-E	72
3.8	LGH100-RVX-E	73
3.9	LGH150-RVX-E	74
3.10	LGH-150-250-RVXT-E	75

1. M-series

- 1.1 Electrical connection diagram for M-series inverter systems
- 1.2 Electrical connection diagram PUMY
- 1.3 Electrical connection diagram M-series single-split inverter
- 1.4 Electrical connection diagram MXZ multi-split inverter, 2-6 indoor units

[BACK TO CONTENTS](#)

Electrical connection diagram PUMY

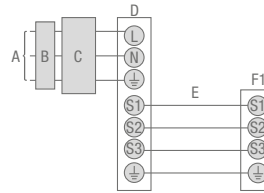


- (A) Voltage supply to connection boxes (via outdoor unit)
- (B) Communication connection from outdoor unit to connection boxes
- (C) Voltage supply and communication of indoor unit

Notes:

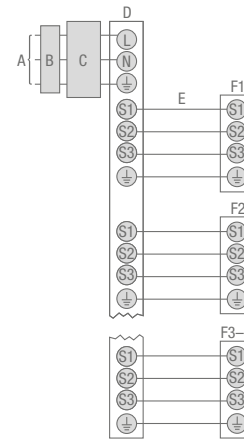
1. The size of the electrical line must comply with the respective local and national statutory regulations.
2. At least one polychloroprene-coated flexible cable (corresponding to 60245 IEC 57) must be used for the power supply and for connecting the indoor unit and outdoor system.
3. Install an earth line that is longer than the other cables.

Electrical connection diagram M-series single-split inverter



- A Voltage supply of outdoor unit
- B Fault-current circuit breaker
- C Fuse
- D Outdoor unit
- E Connection cable, outdoor unit – indoor unit
- F1 Indoor unit

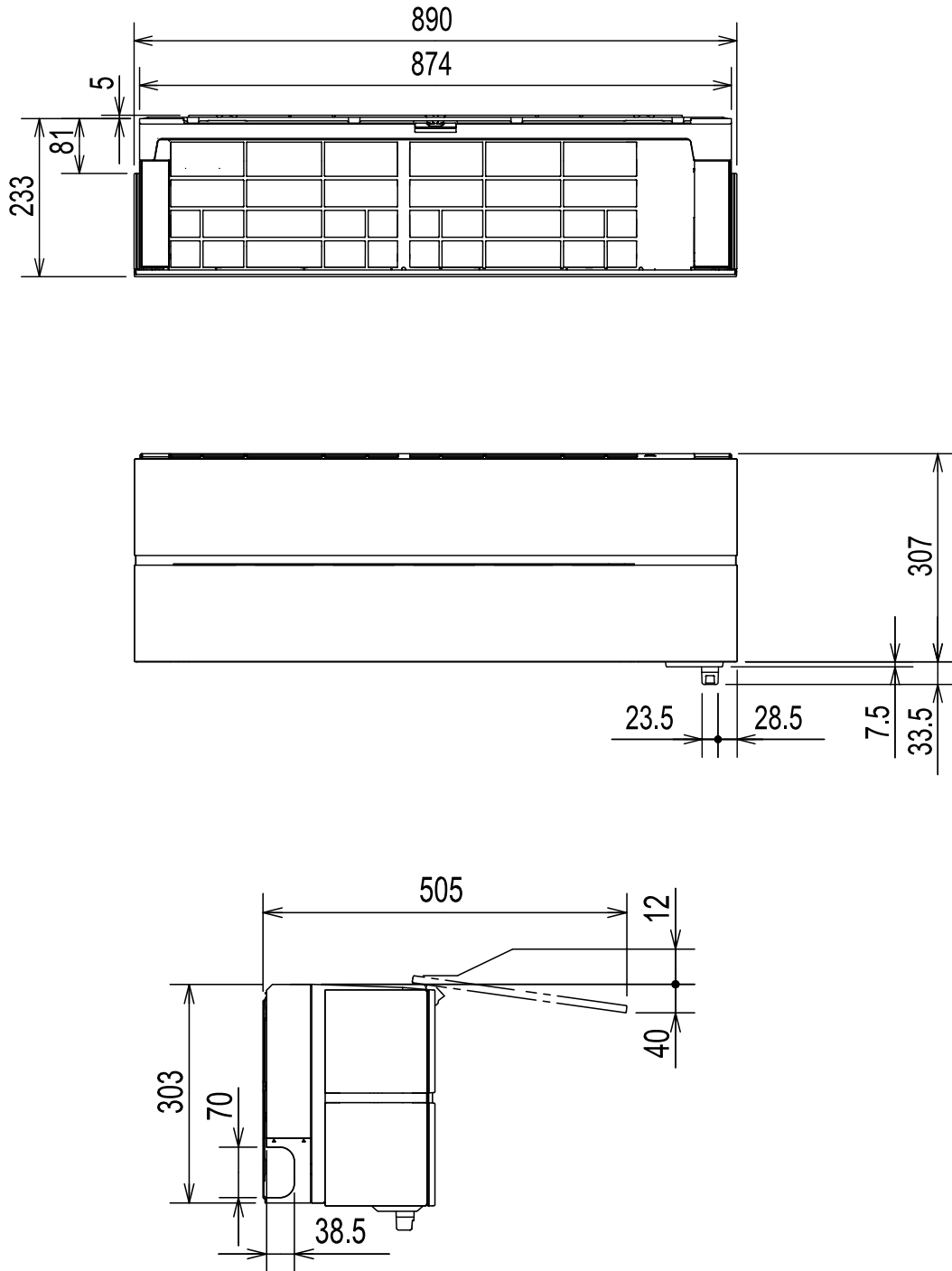
Electrical connection diagram MXZ multi-split inverter, 2-6 indoor units



- A Voltage supply of outdoor unit
- B Fault-current circuit breaker
- C Fuse
- D Outdoor unit
- E Connection cable, outdoor unit – indoor units
- F1 – F6 Indoor units no. 1 to no. 6

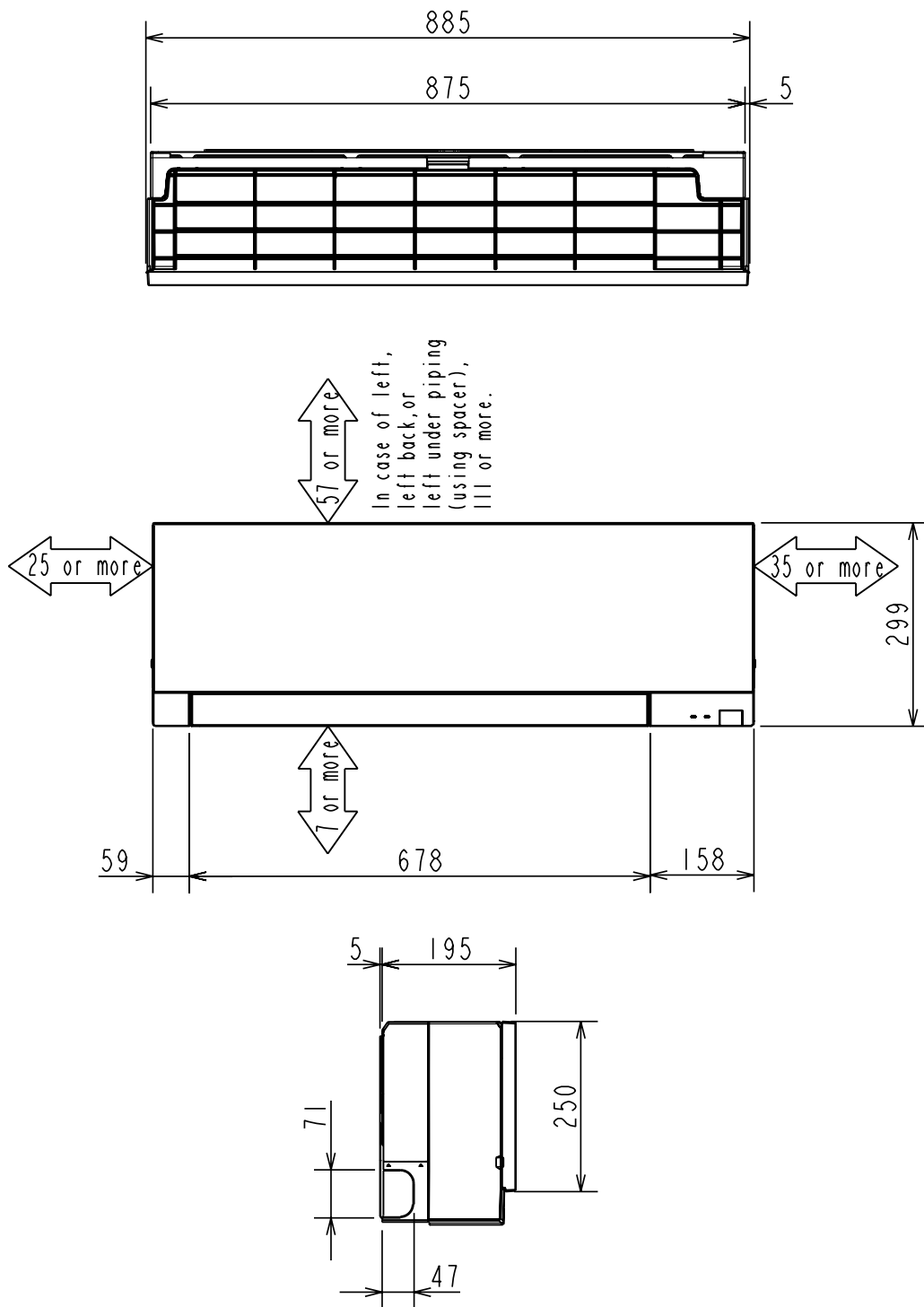
1.5 MSZ-LN18-60VG2 R/V/W/B
MSZ-LN inverter wall-mounted units

[BACK TO CONTENTS](#)



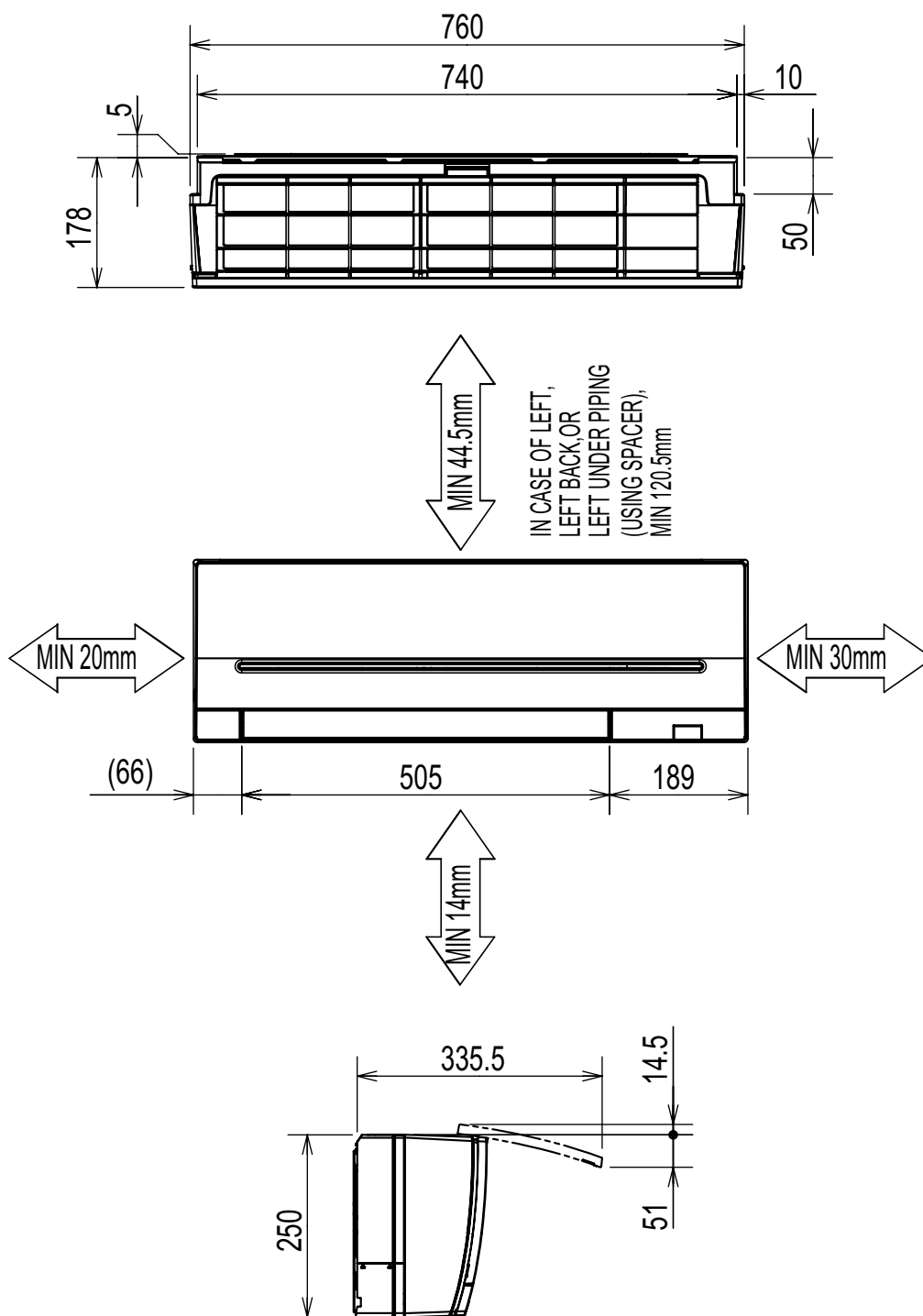
1.6 MSZ EF18-50VGK W/B/S
MSZ-EF inverter wall-mounted units

[BACK TO CONTENTS](#)



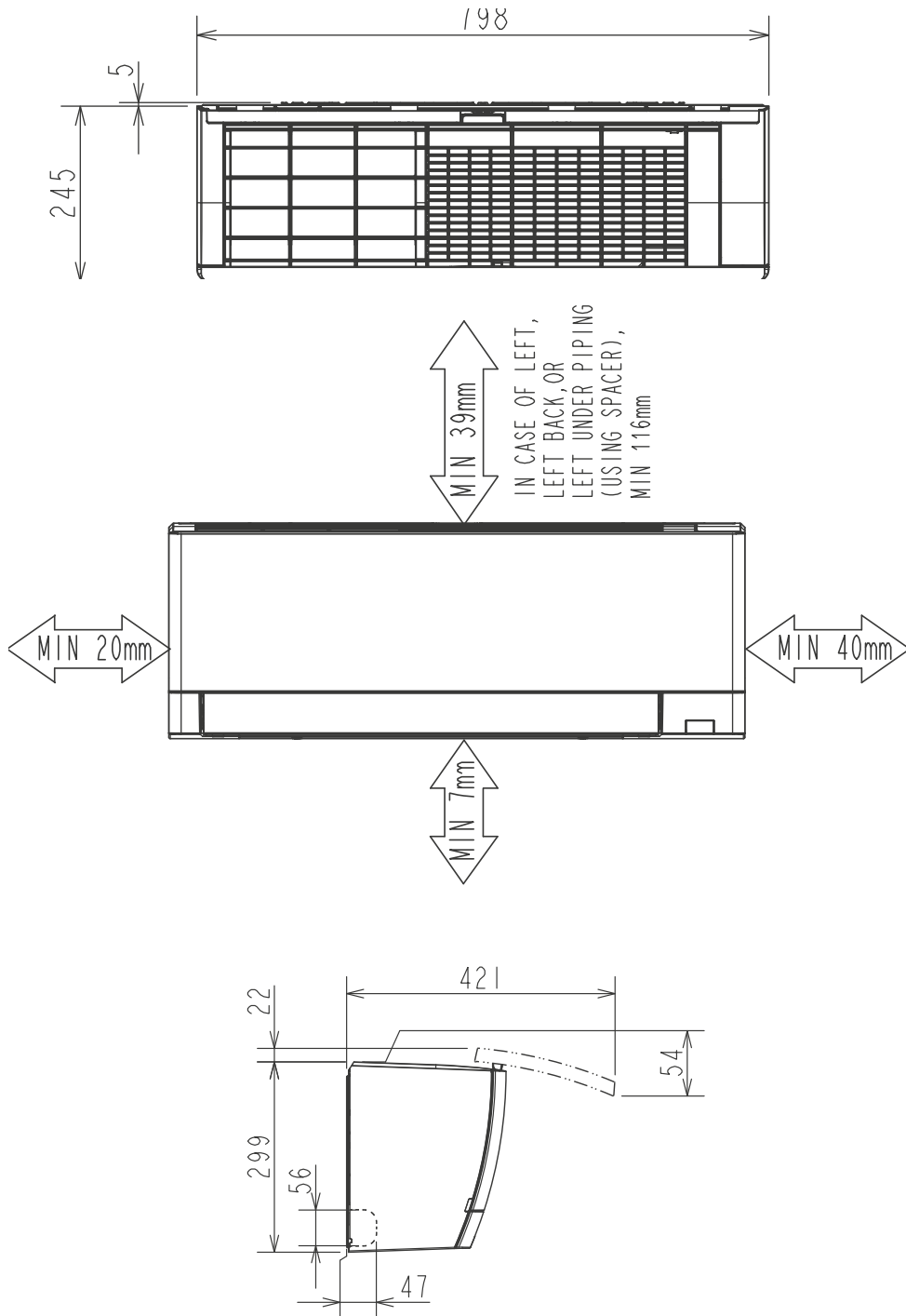
1.7 MSZ-AP15/20VGK
MSZ-AP/AY inverter wall-mounted units

[BACK TO CONTENTS](#)



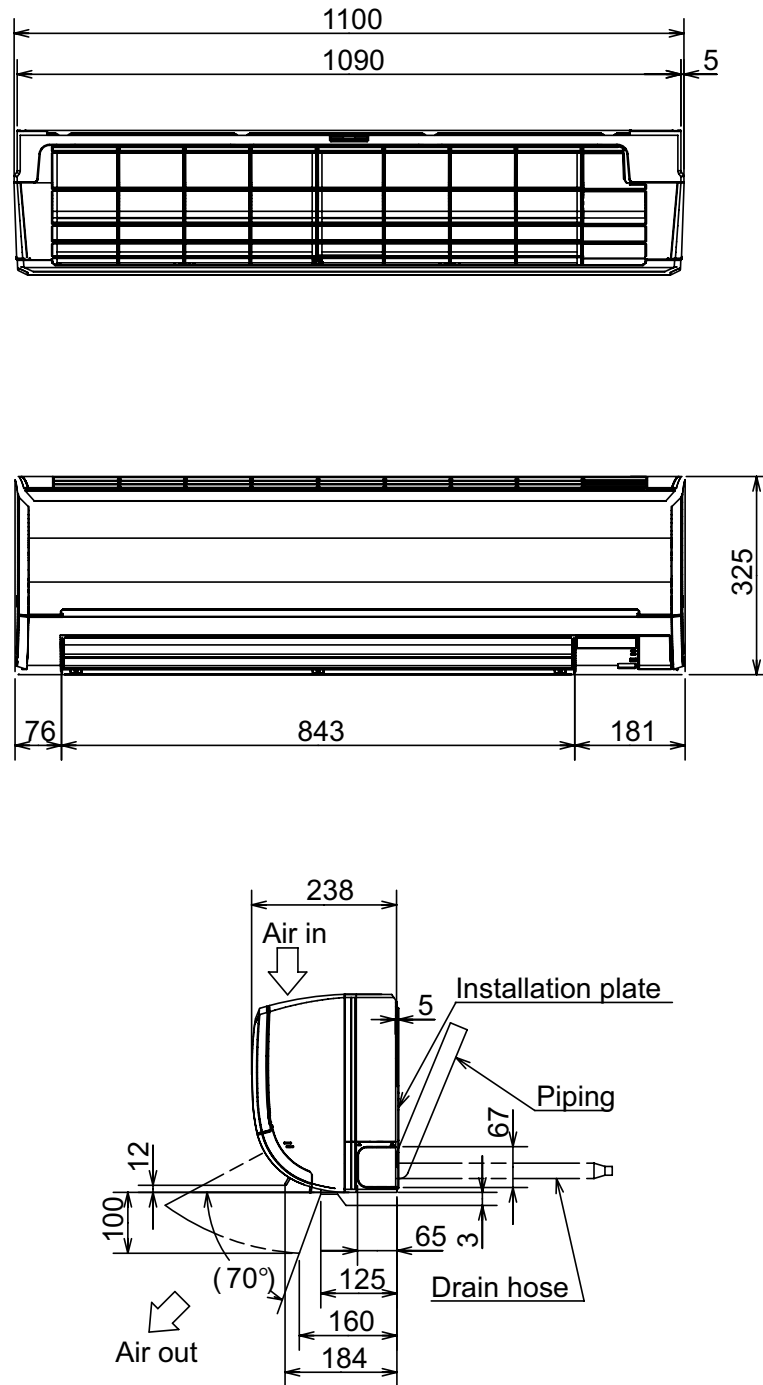
1.8 MSZ-AY25-50VGK
MSZ-Inverter-Wandgeräte Standard

[BACK TO CONTENTS](#)



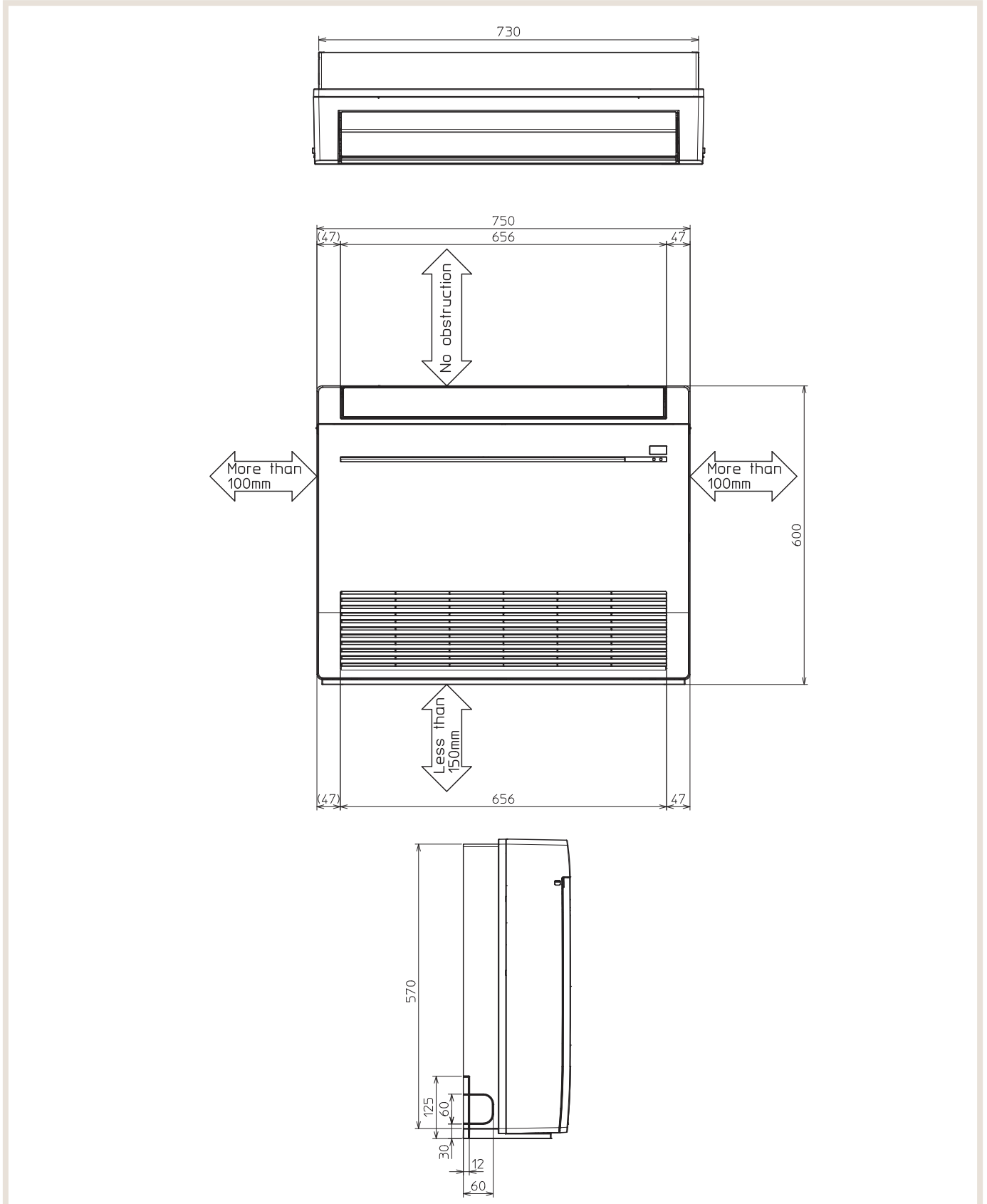
1.9 MSZ-AP60/71VGK
MSZ-AP inverter wall-mounted units

[BACK TO CONTENTS](#)



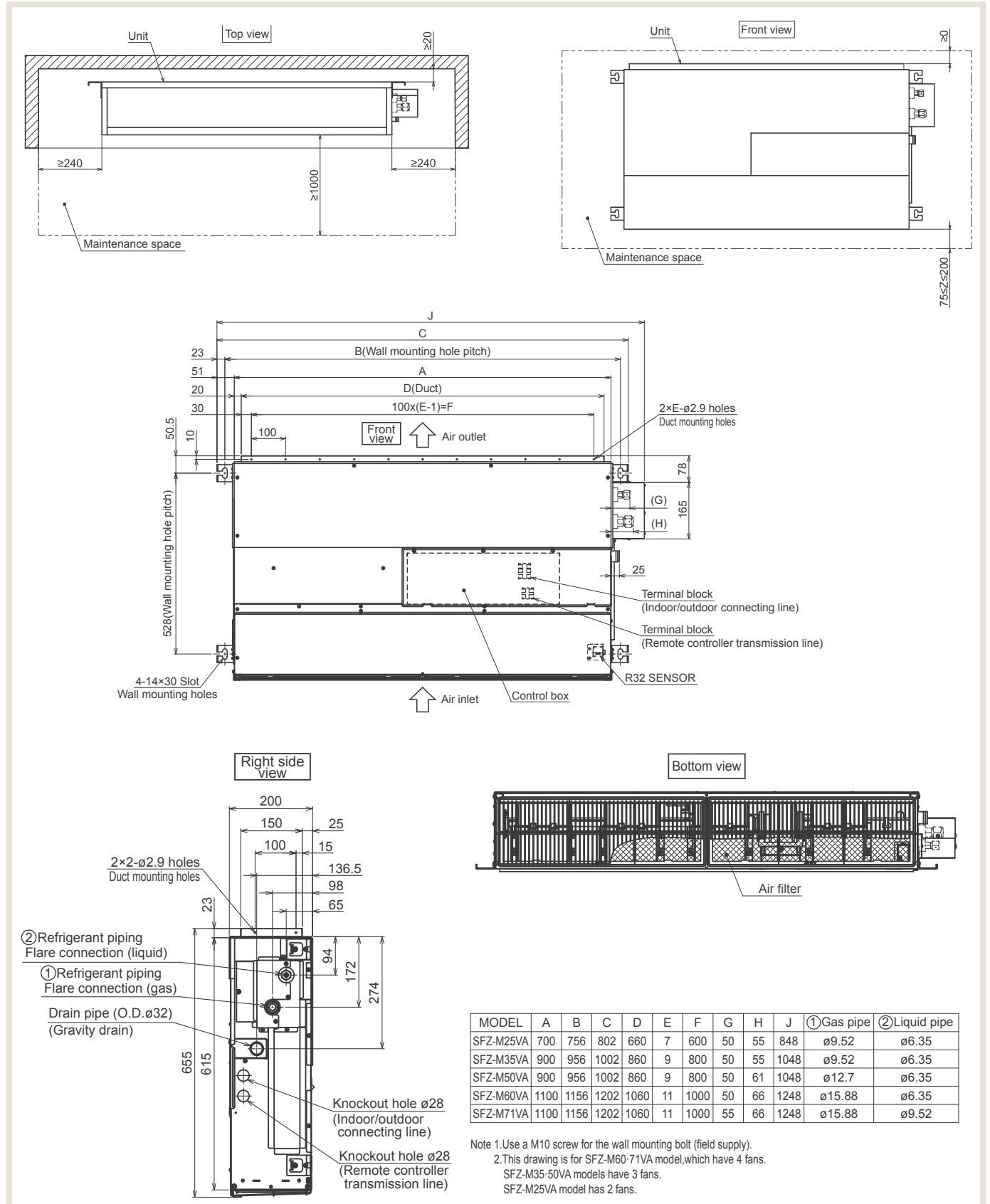
1.10 MFZ-KT25-60VG
MFZ-KT inverter floor-standing units

[BACK TO CONTENTS](#)



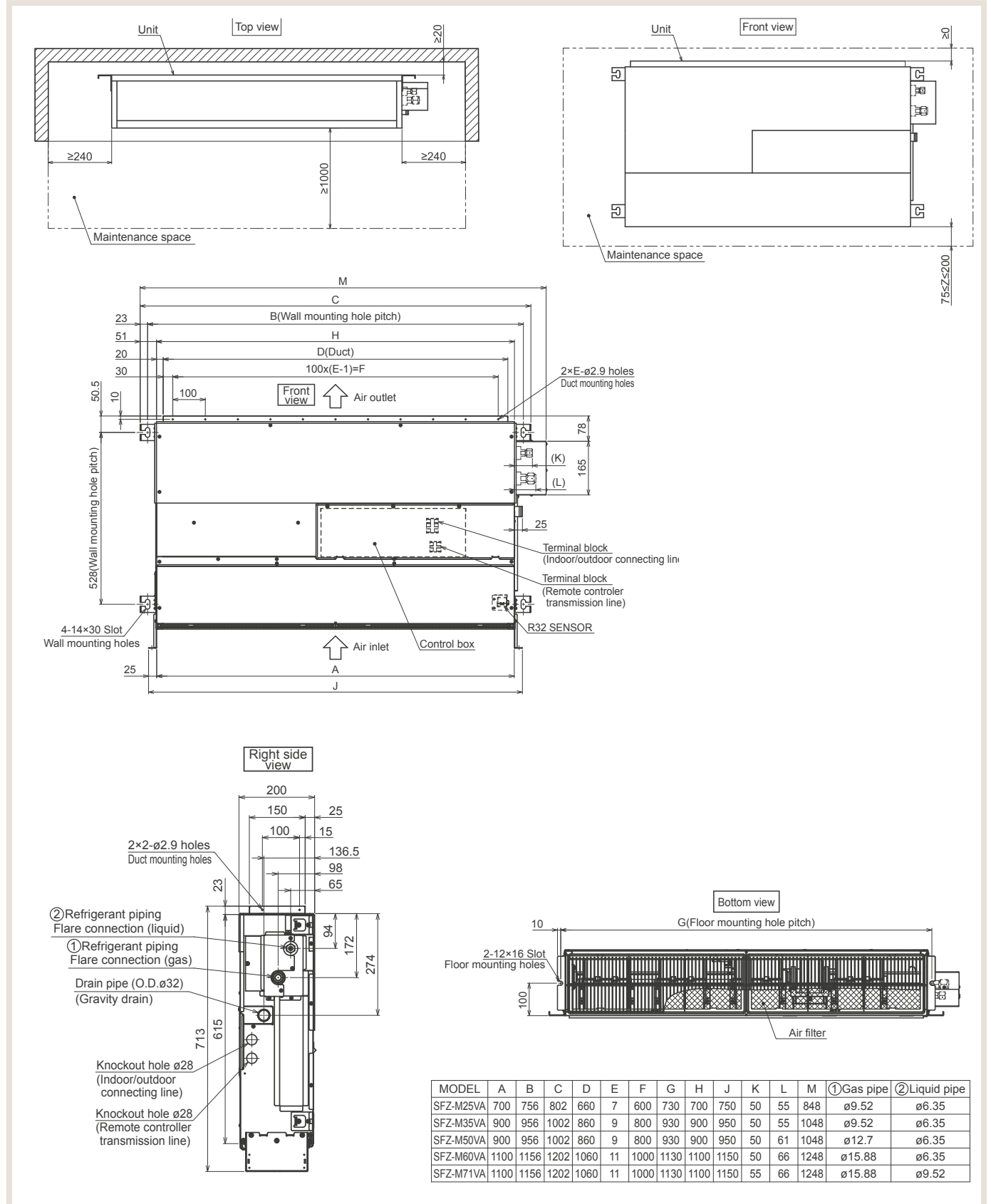
1.11 SFZ-M25-71VA
SFZ-M floor-standing unit

[BACK TO CONTENTS](#)



1.12 SFZ-M25-71VA
SFZ-M floor-standing unit

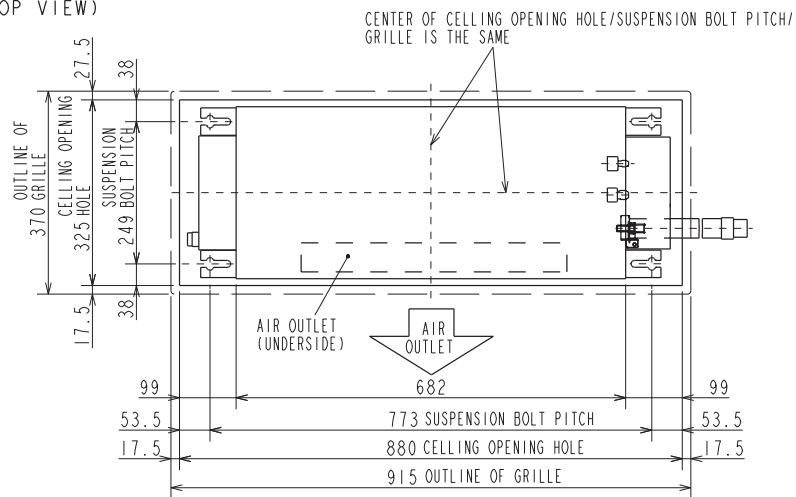
[BACK TO CONTENTS](#)



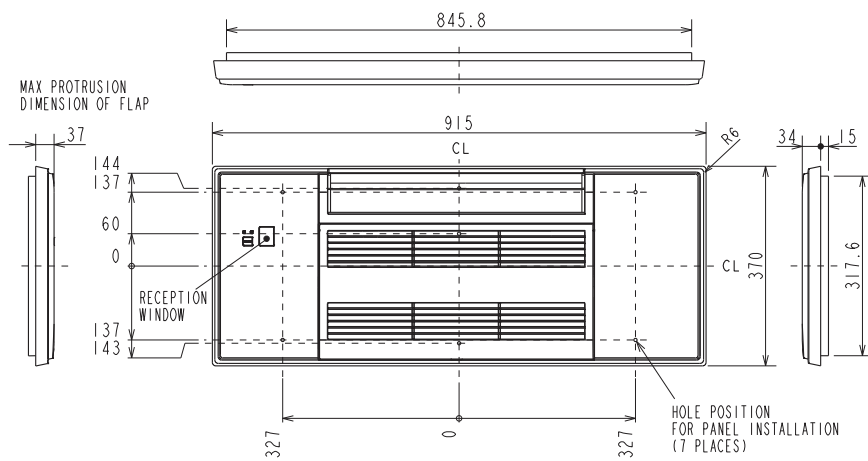
1.13 MLZ-KY20VG
MLZ-KY ceiling cassette

[BACK TO CONTENTS](#)

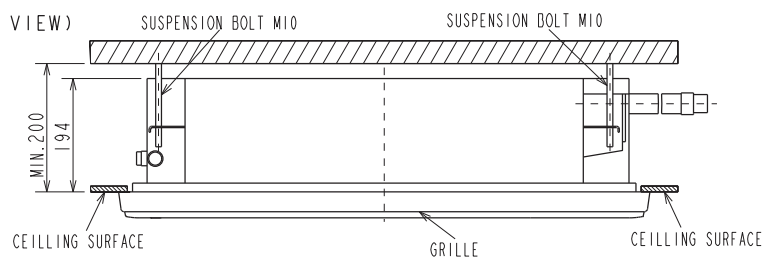
INDOOR UNIT DETAIL VIEW
(TOP VIEW)



GRILLE OUTLINE DRAWING
(MLP-448W)



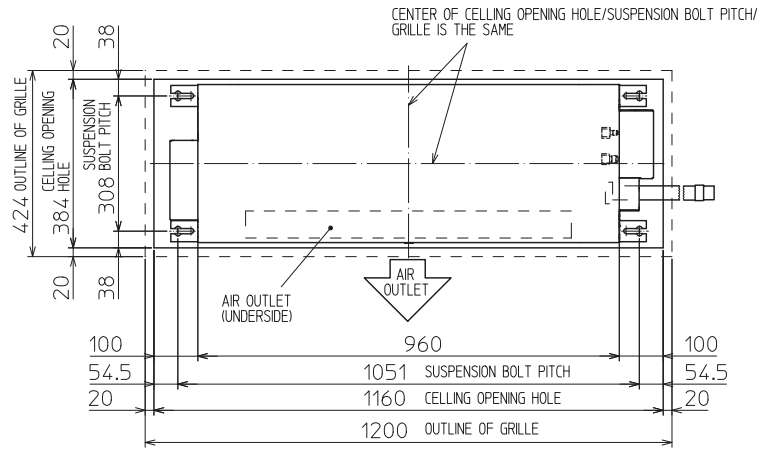
(FRONT VIEW)



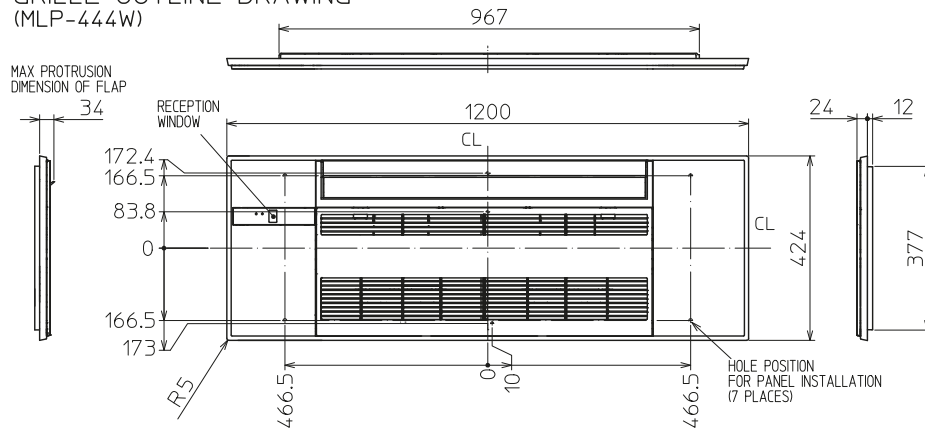
1.14 MLZ-KP25-50VF
MLZ-KP ceiling cassettes

[BACK TO CONTENTS](#)

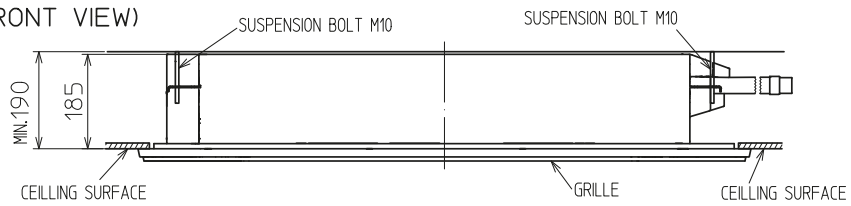
INDOOR UNIT DETAIL VIEW
(TOP VIEW)



GRILLE OUTLINE DRAWING
(MLP-444W)

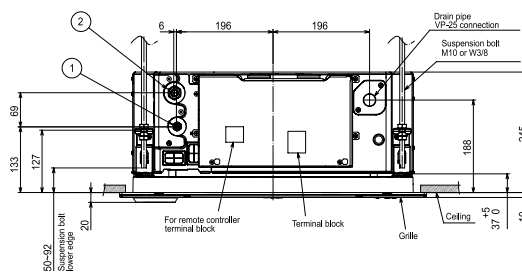
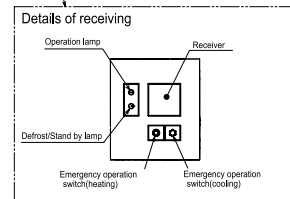
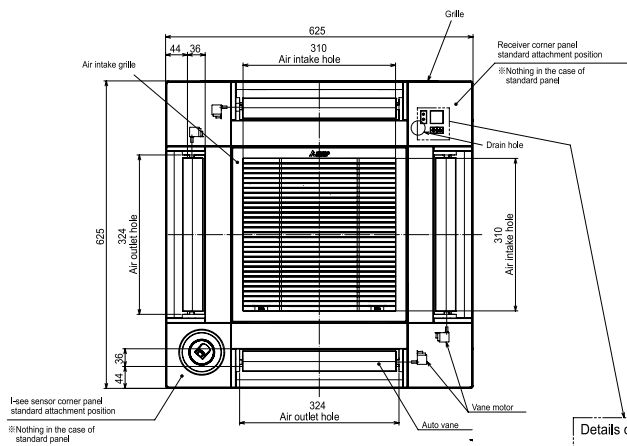
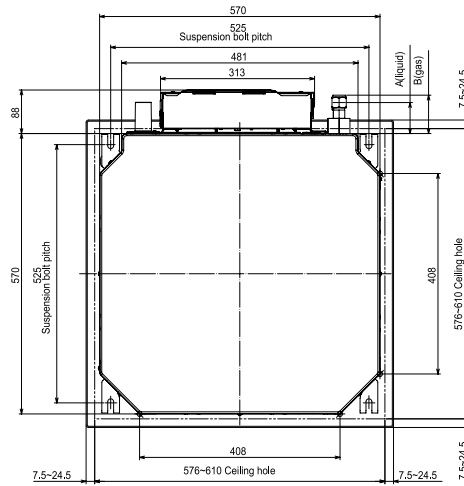


(FRONT VIEW)



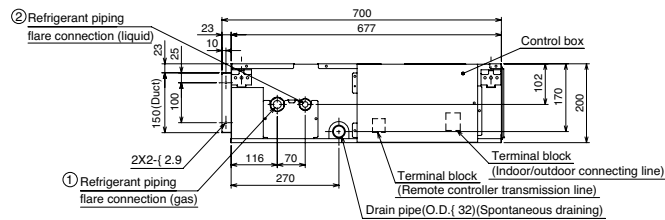
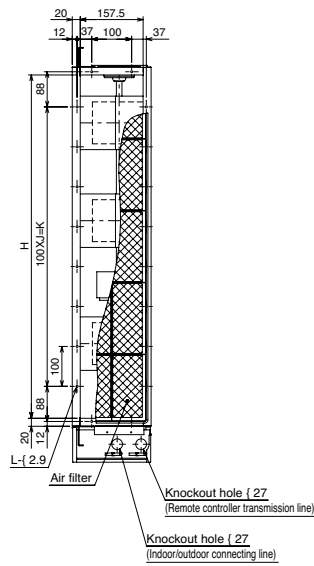
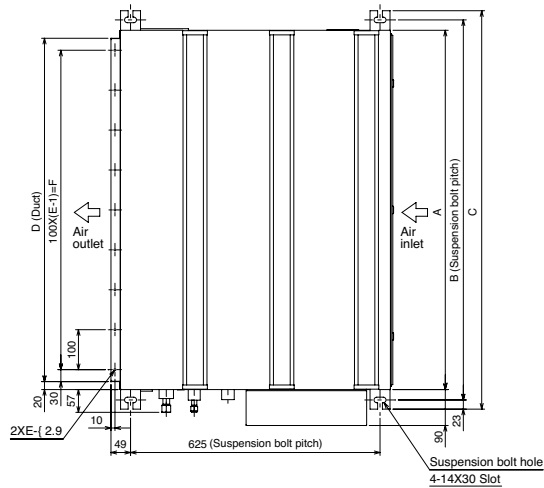
1.15 SLZ-M15-60FA2
SLZ-M ceiling cassettes

[BACK TO CONTENTS](#)



1.16 SEZ-M25-71DA2
SEZ-M ducted units

[BACK TO CONTENTS](#)

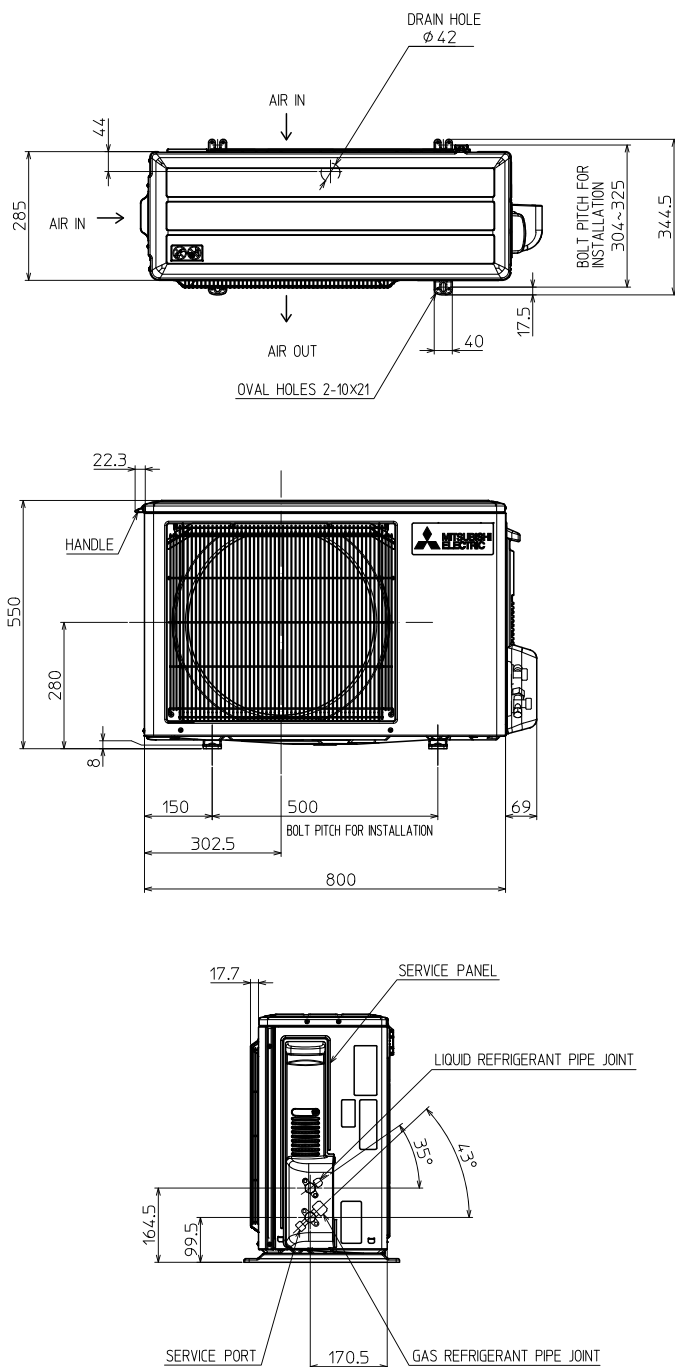


Model	A	B	C	D	E	F	G	H	J	K	L	① Gas pipe	② Liquid pipe
SEZ-M25DA(L)	700	752	798	660	7	600	800	660	5	500	16	φ9.52	φ6.35
SEZ-M35DA(L)	900	952	998	860	9	800	1000	860	7	700	20		
SEZ-M50DA(L)	1100	1152	1198	1060	11	1000	1200	1060	9	900	24	φ12.7	φ9.52
SEZ-M60DA(L)												φ15.88	
SEZ-M71DA(L)													

- Note1. Use M10 screw for the suspension bolt (field supply).
 2. Keep the service space for the maintenance at the bottom.
 3. This chart indicates for SEZ-M50DA(L) model, which has 3 fans.
 SEZ-M25,35DA(L) models have 2 fans.
 SEZ-M60,71DA(L) models have 4 fans.
 4. In case an inlet duct is used, remove the air filter (supply with the unit), then install the filter (field supply) at suction side.

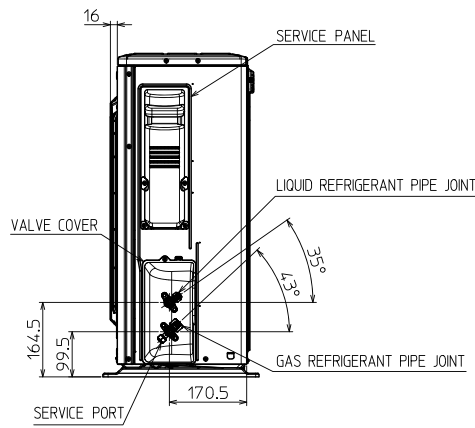
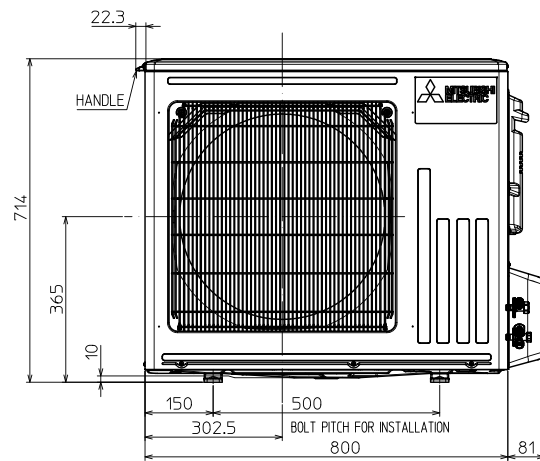
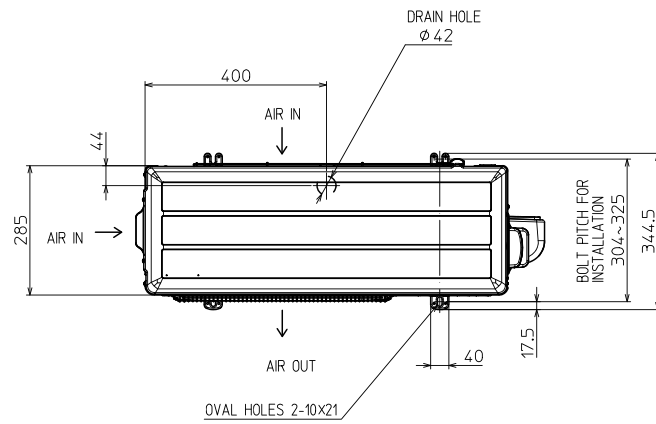
1.17 MUZ-LN25/35VG2
 MUZ inverter outdoor units

[BACK TO CONTENTS](#)



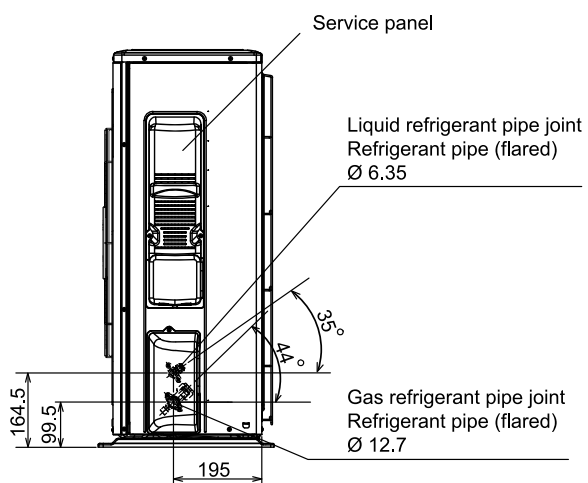
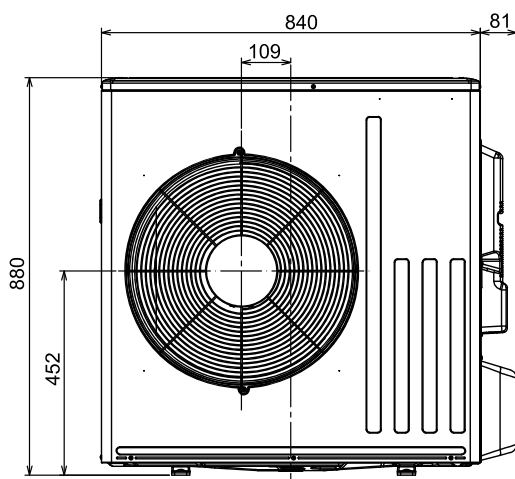
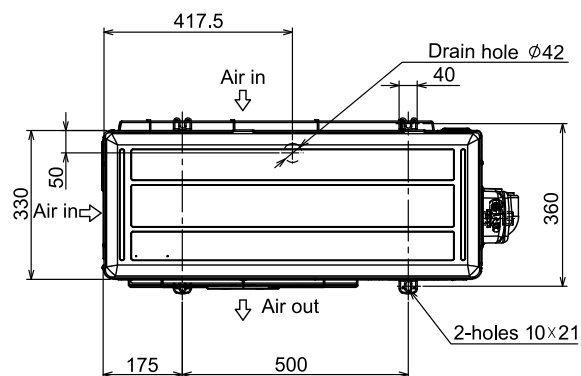
1.18 MUZ-LN50VG2
 MUZ inverter outdoor units

[BACK TO CONTENTS](#)



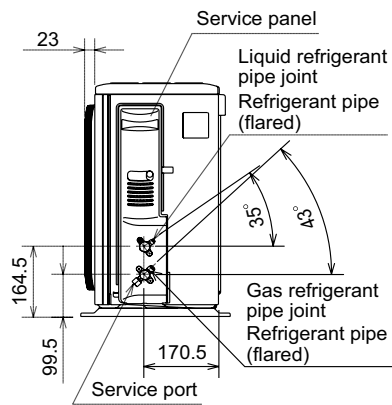
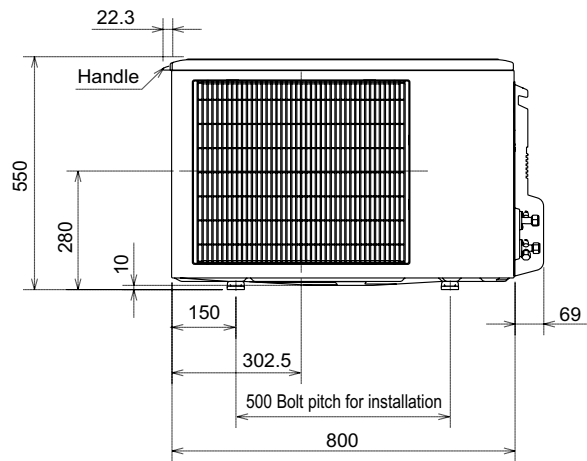
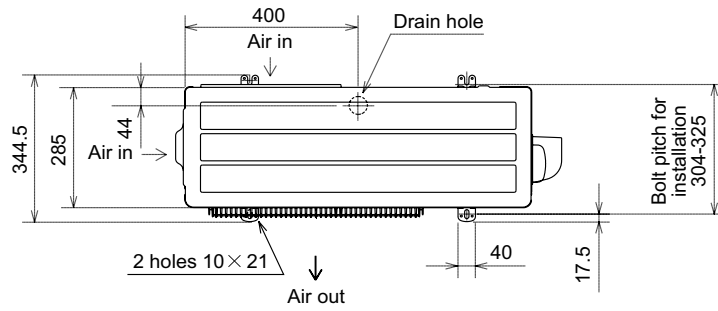
1.19 MUZ-LN60VG
 MUZ inverter outdoor units

[BACK TO CONTENTS](#)



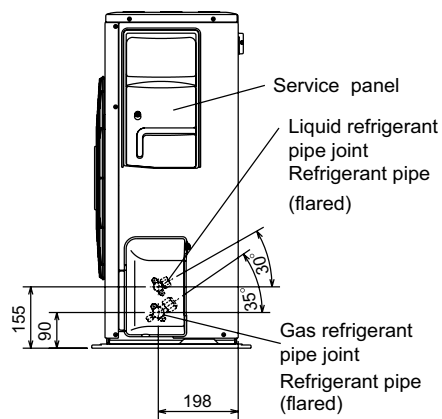
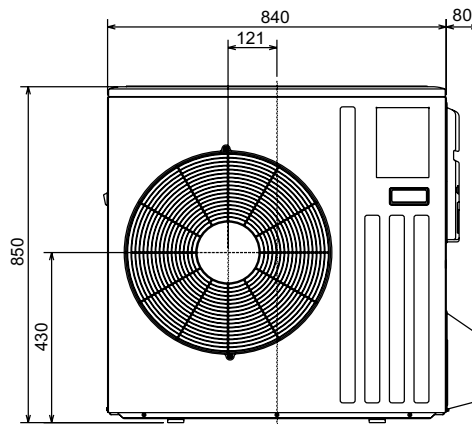
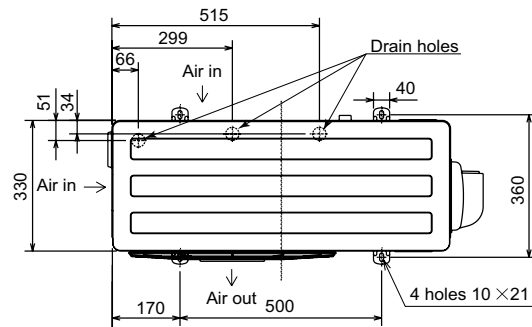
1.20 MUZ-EF25-42VG
 MUZ inverter outdoor units

[BACK TO CONTENTS](#)



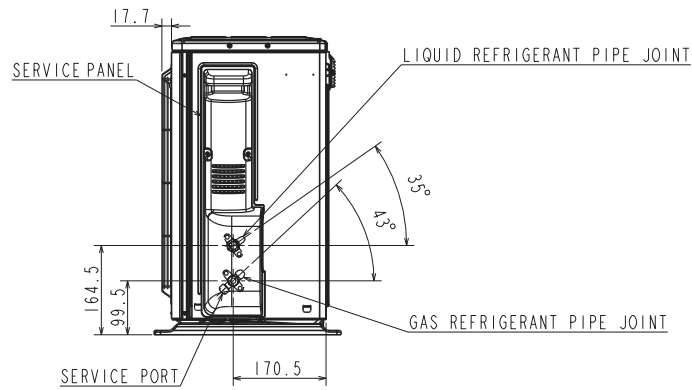
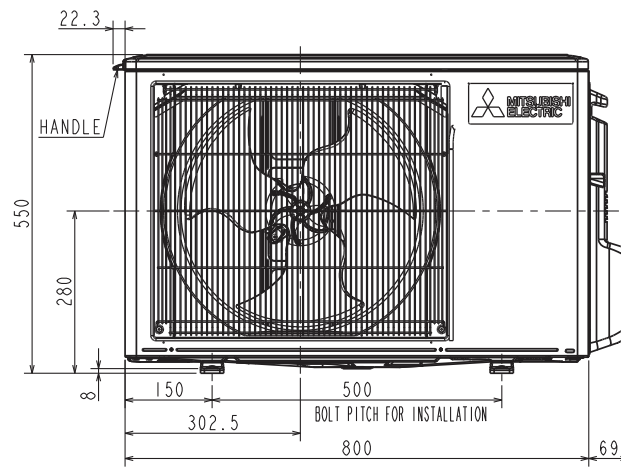
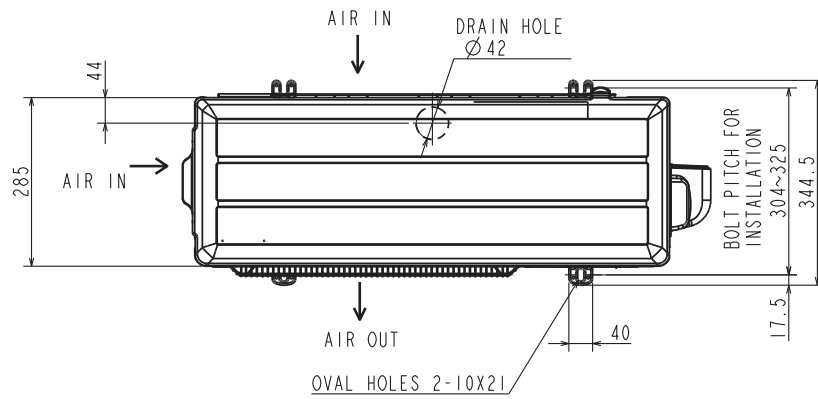
1.21 MUZ-EF50VG
 MUZ inverter outdoor units

[BACK TO CONTENTS](#)



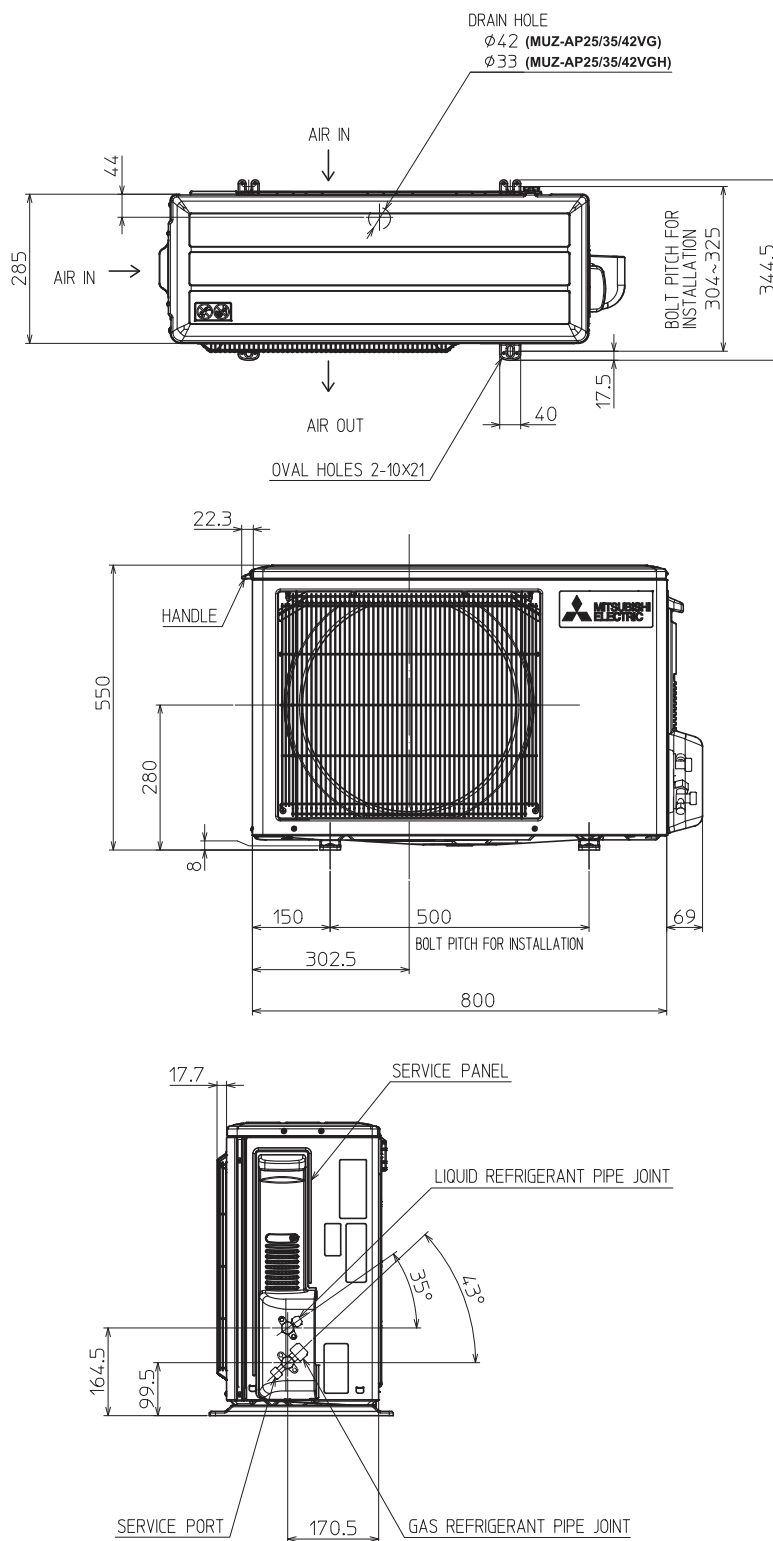
1.22 MUZ-AP20VG
 MUZ-Inverter Außengeräte

[BACK TO CONTENTS](#)



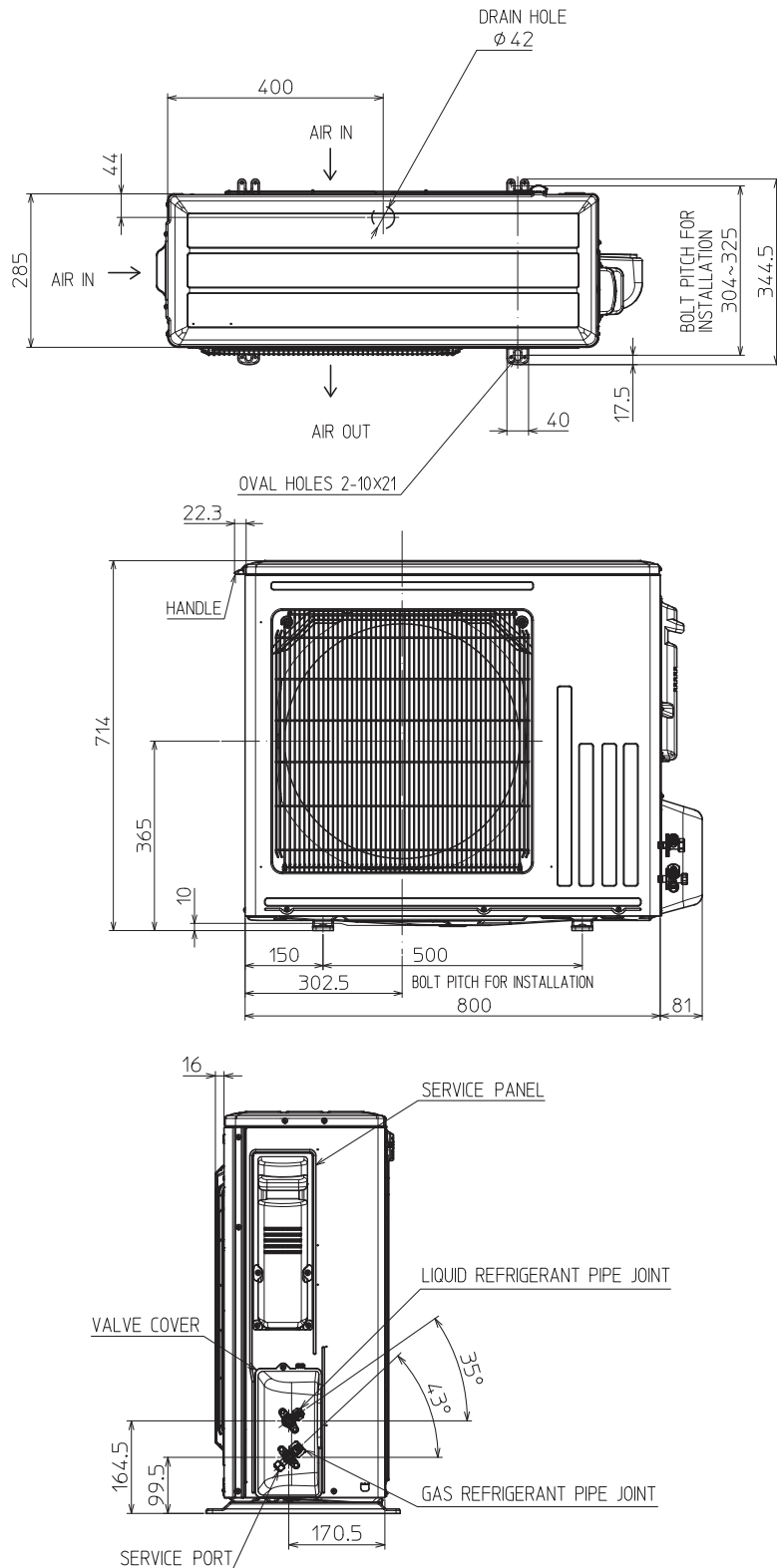
1.23 MUZ-AY25-42VG
 MUZ-Inverter Außengeräte

[BACK TO CONTENTS](#)



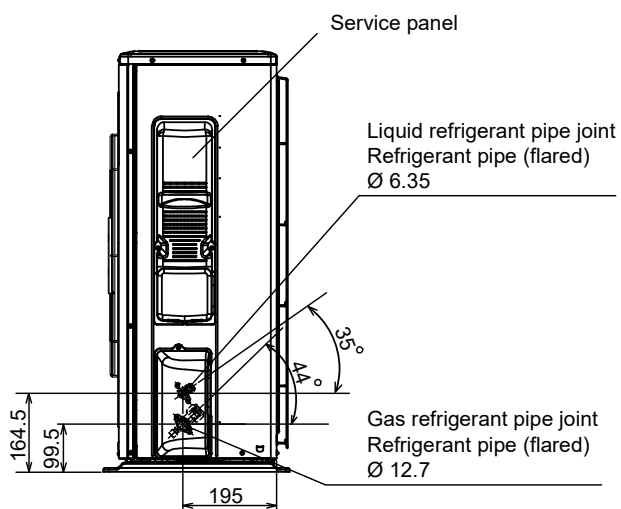
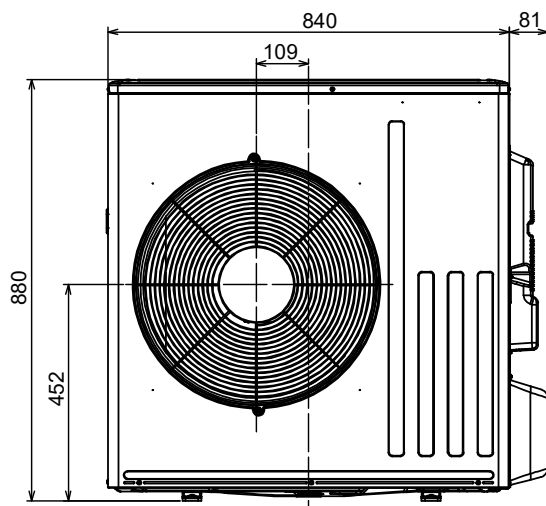
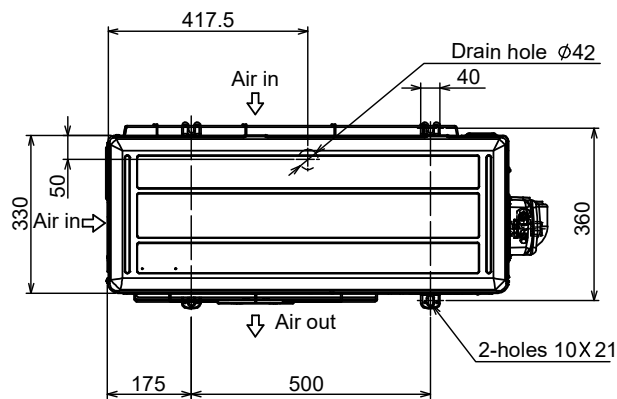
1.24 MUZ-AY50VG
 MUZ-Inverter Außengeräte

[BACK TO CONTENTS](#)



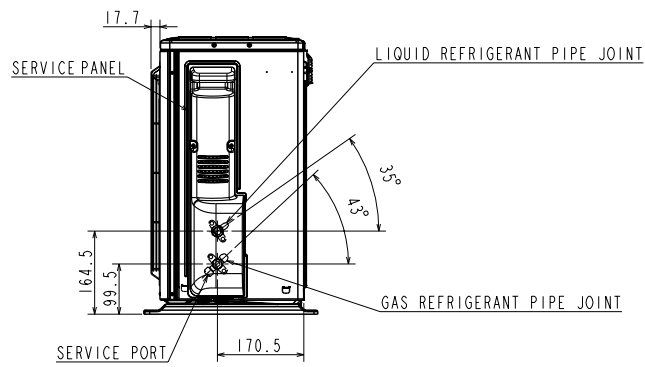
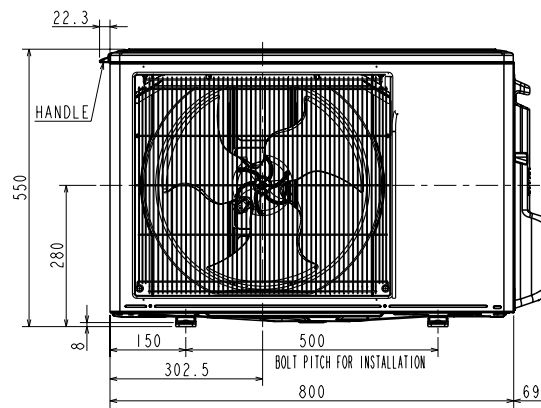
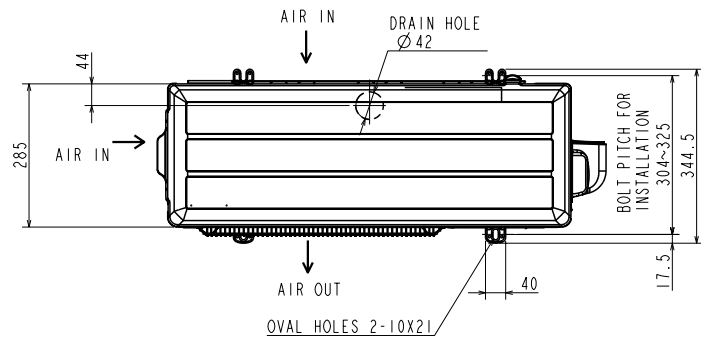
1.25 MUZ-AP60/71VG
 MUZ inverter outdoor units

[BACK TO CONTENTS](#)



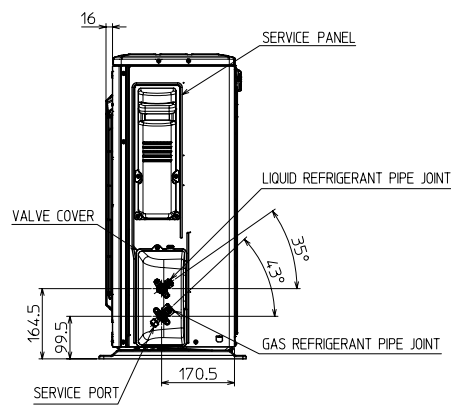
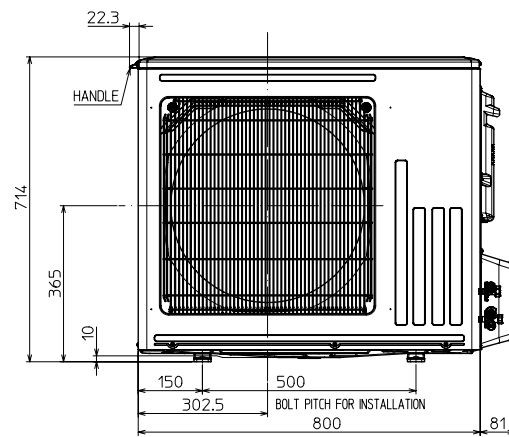
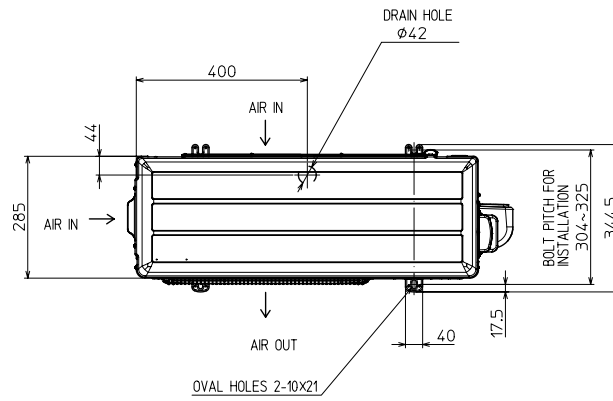
1.26 SUZ-M25/35VA
SUZ inverter outdoor units

[BACK TO CONTENTS](#)



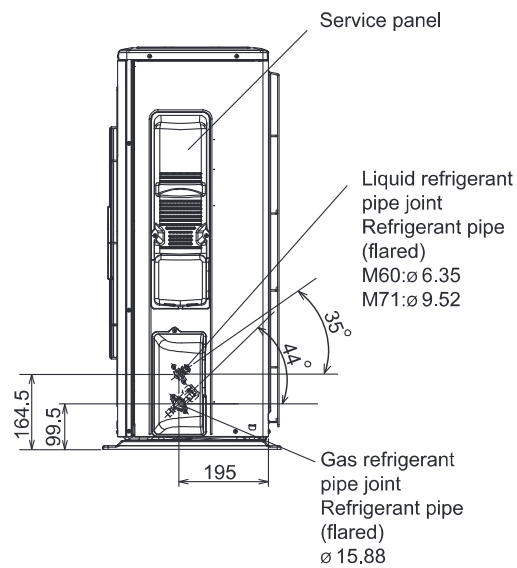
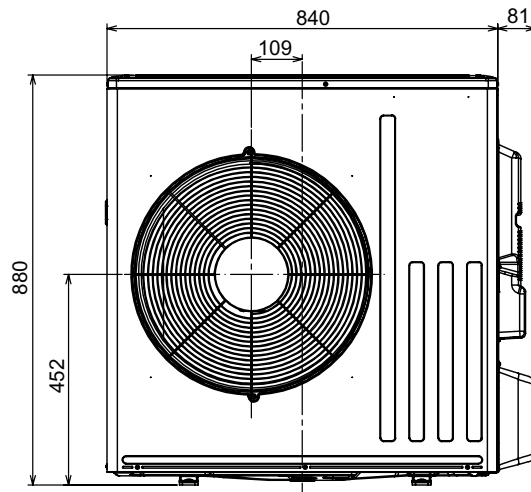
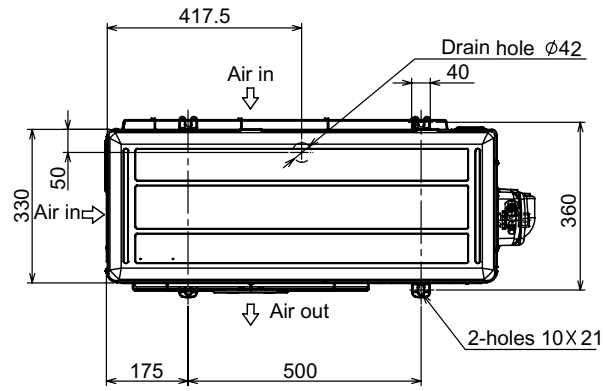
1.27 SUZ-M50VA
SUZ inverter outdoor units

[BACK TO CONTENTS](#)



1.28 SUZ-M60/71VA
SUZ inverter outdoor units

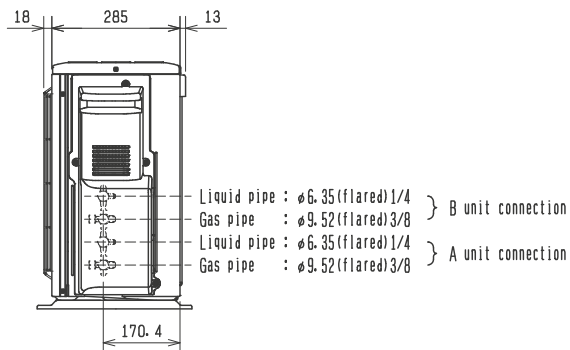
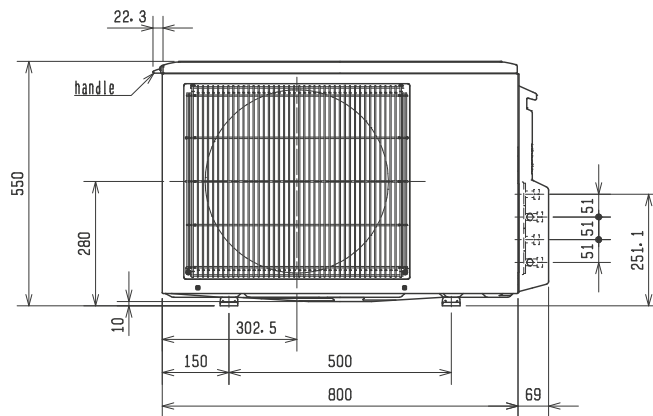
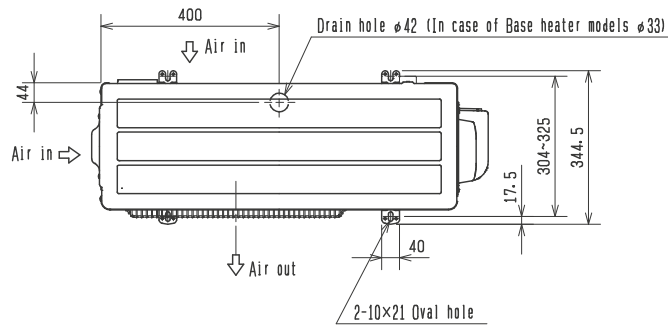
[BACK TO CONTENTS](#)



1.29 MXZ-2F33-53VF4

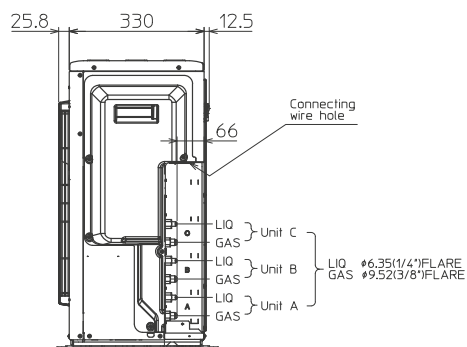
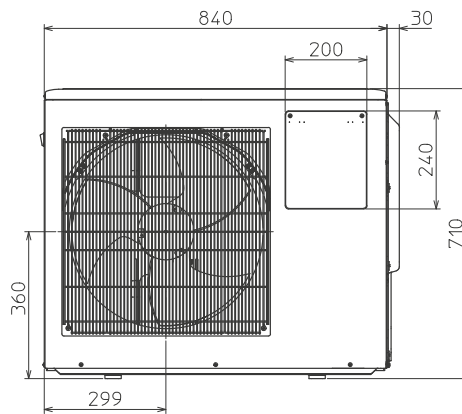
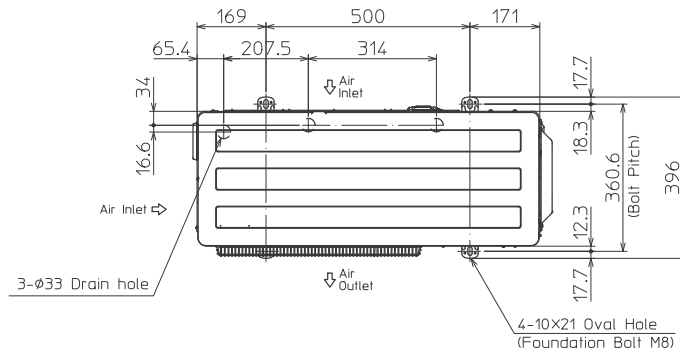
MXZ multi-split inverter outdoor units

[BACK TO CONTENTS](#)



1.30 MXZ-3F54/68VF4
MXZ multi-split inverter outdoor units

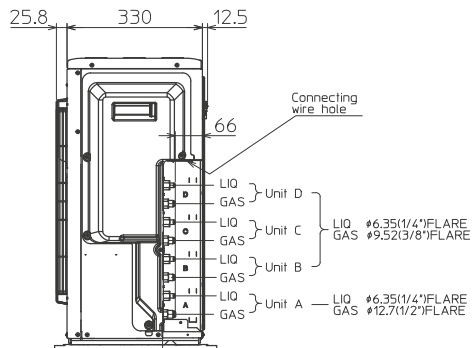
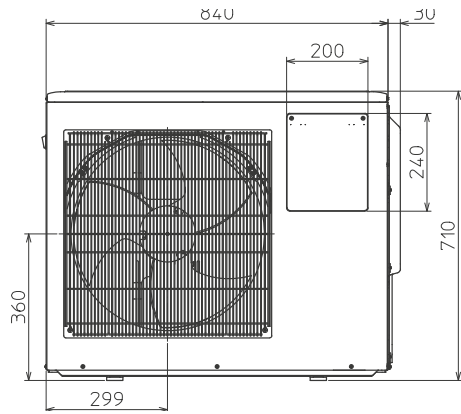
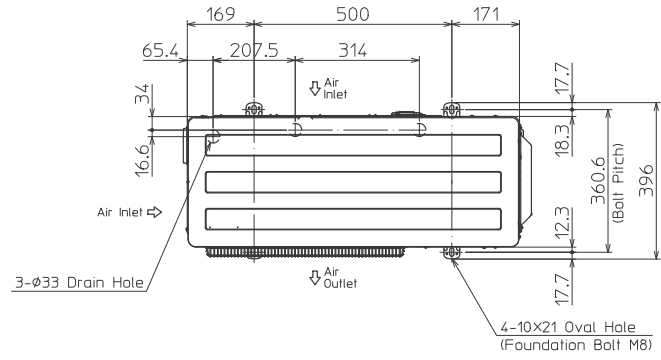
[BACK TO CONTENTS](#)



1.31 MXZ-4F72/80VF4

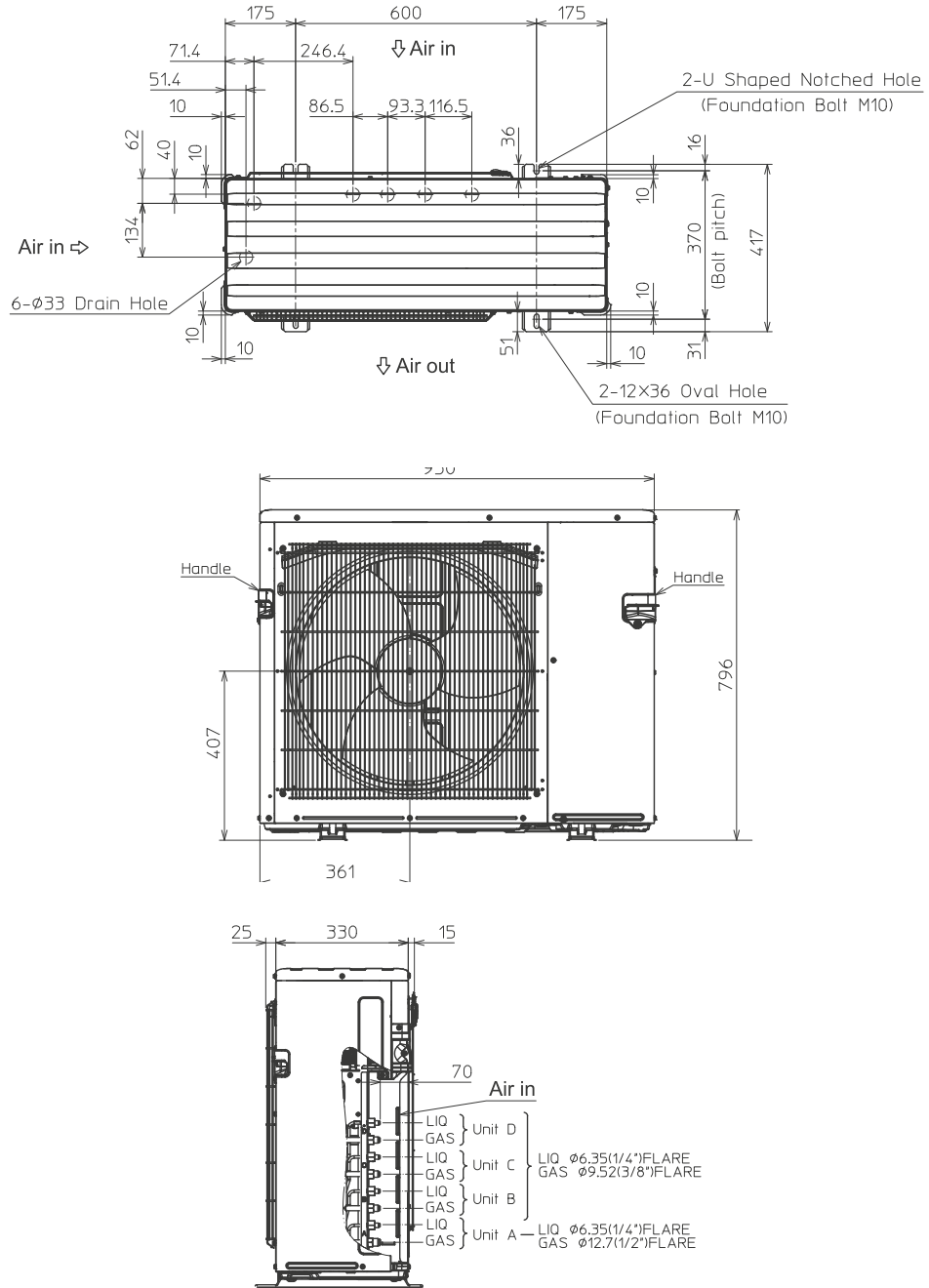
MXZ multi-split inverter outdoor units

[BACK TO CONTENTS](#)



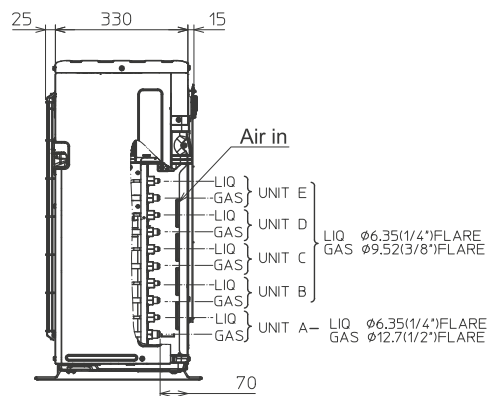
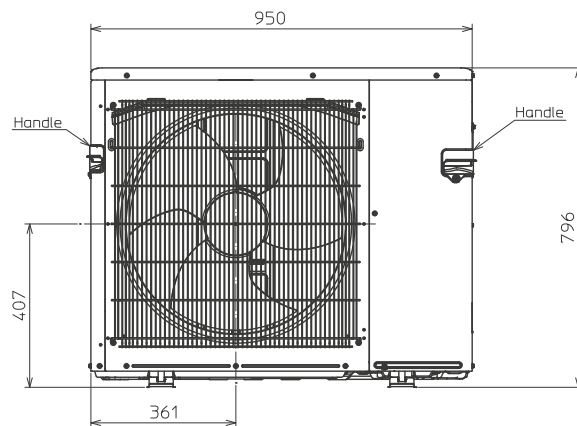
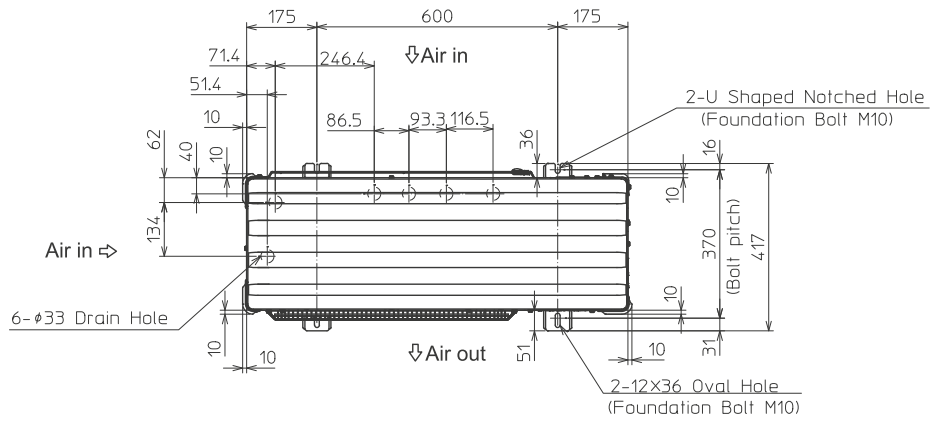
1.32 MXZ-4F83VF2
MXZ multi-split inverter outdoor units

[BACK TO CONTENTS](#)



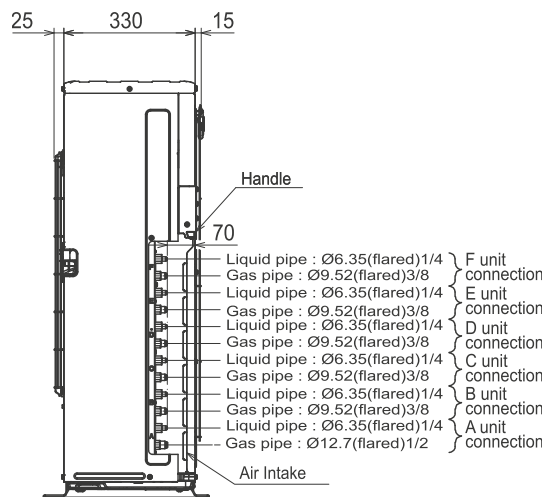
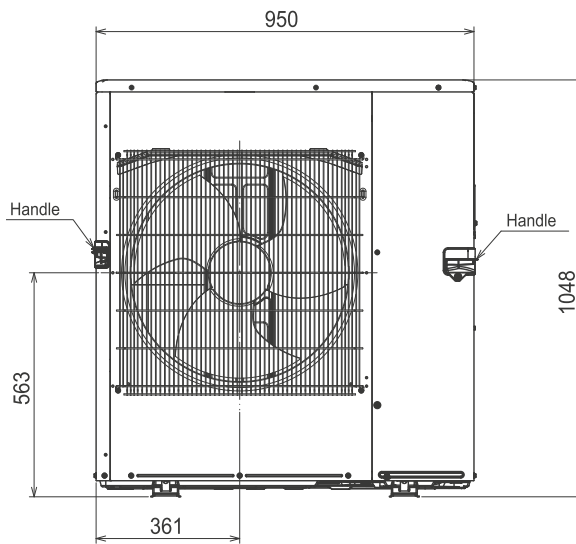
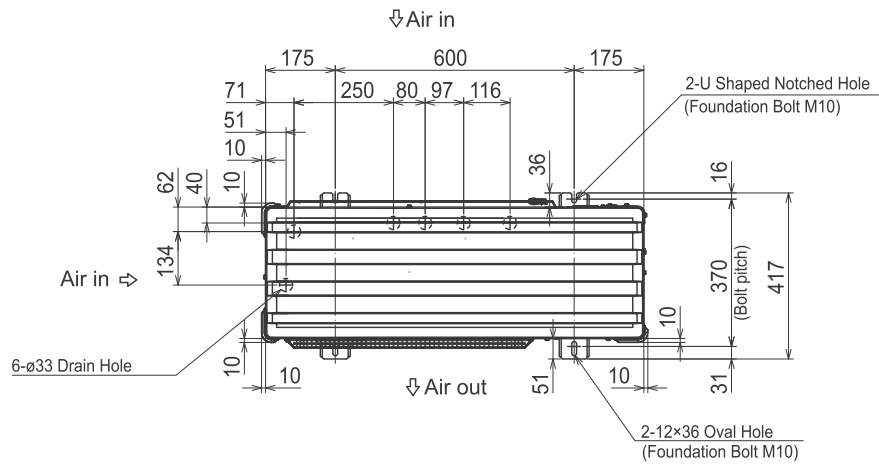
1.33 MXZ-5F102VF2
MXZ multi-split inverter outdoor units

[BACK TO CONTENTS](#)



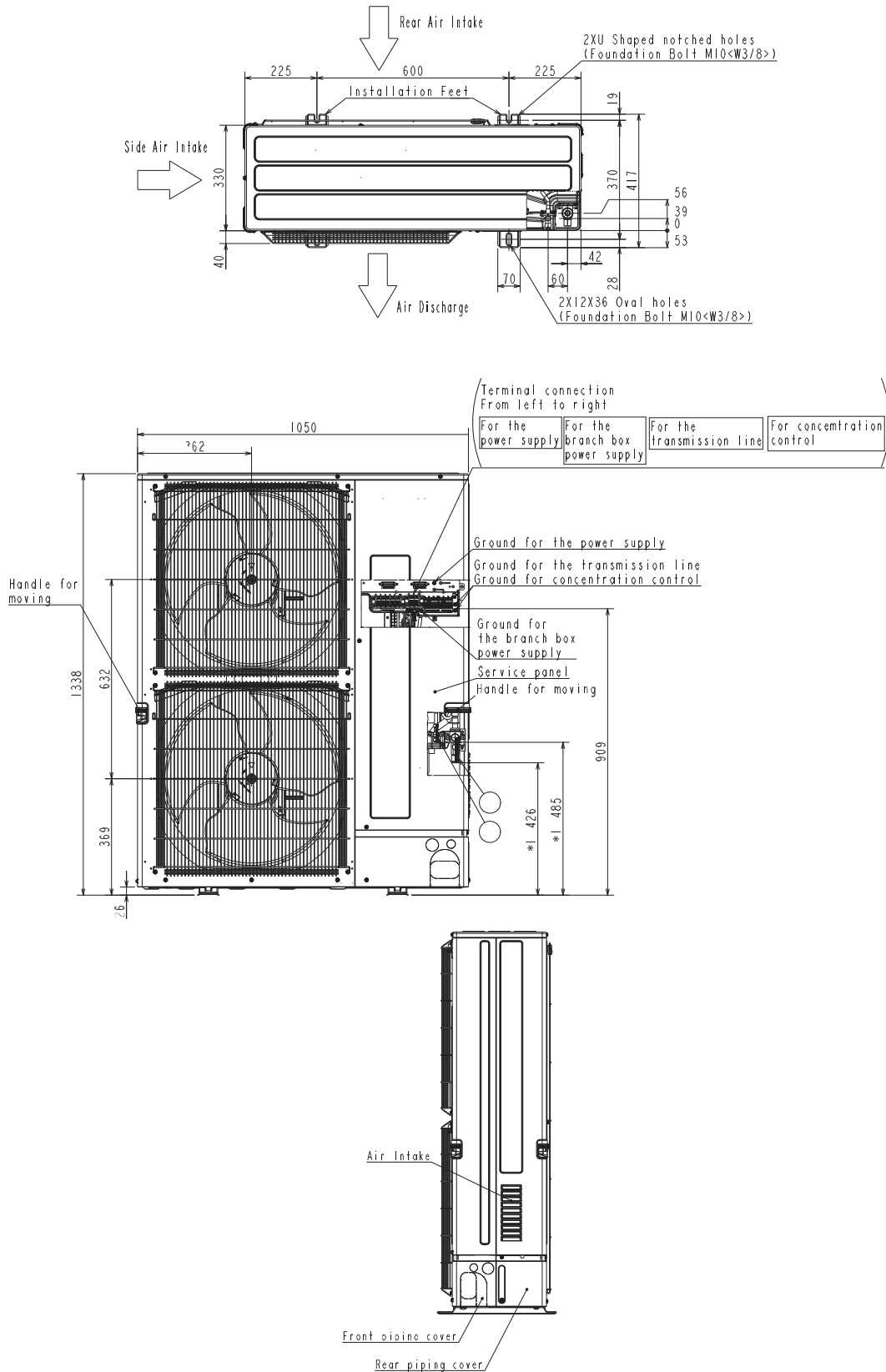
1.34 MXZ-6F120VF2
MXZ multi-split inverter outdoor units

[BACK TO CONTENTS](#)



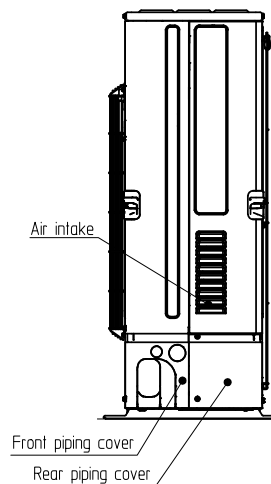
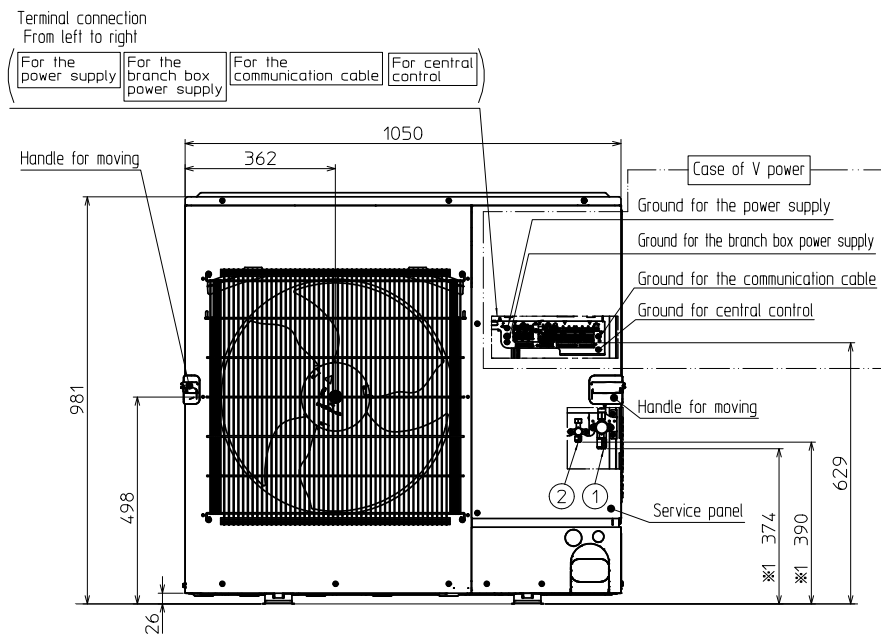
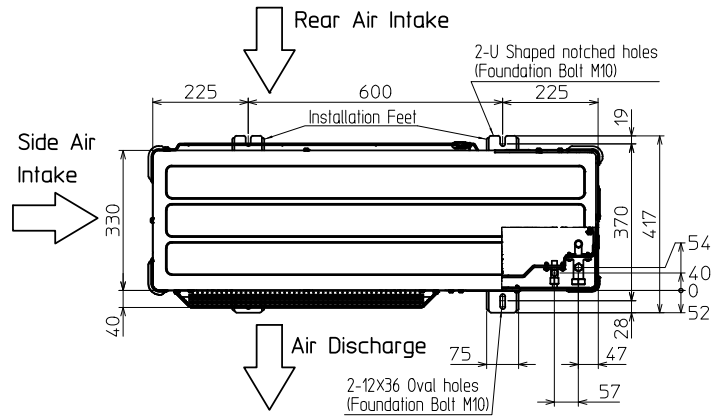
1.35 PUMY-P112-140VKM6/YKM5
PUMY multi-split inverter outdoor units

[BACK TO CONTENTS](#)



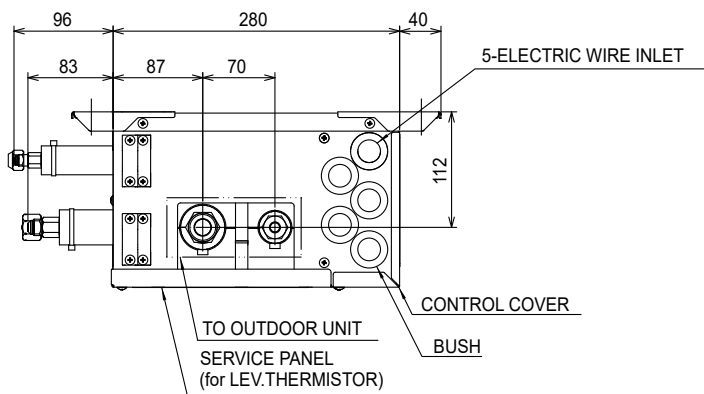
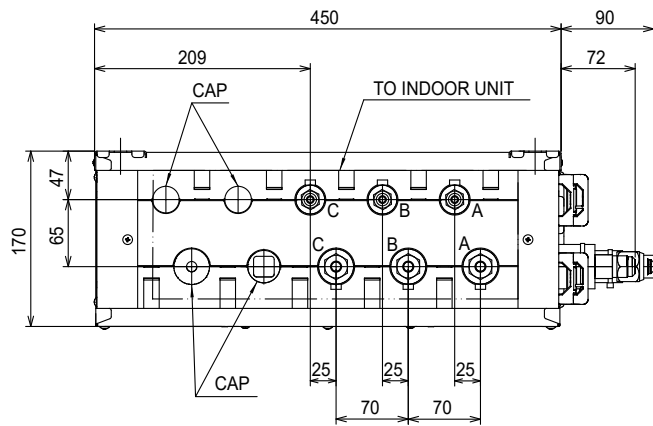
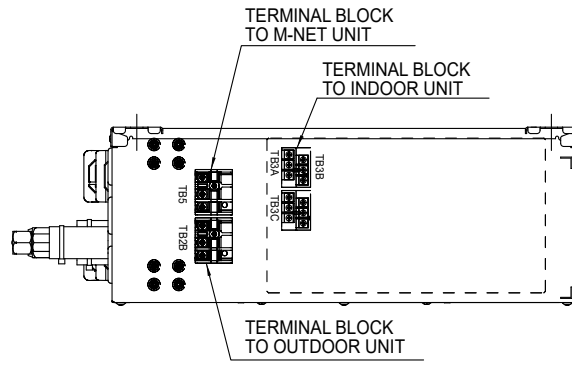
1.36 PUMY-SP112-140VKM/YKM
PUMY multi-split inverter outdoor units

[BACK TO CONTENTS](#)



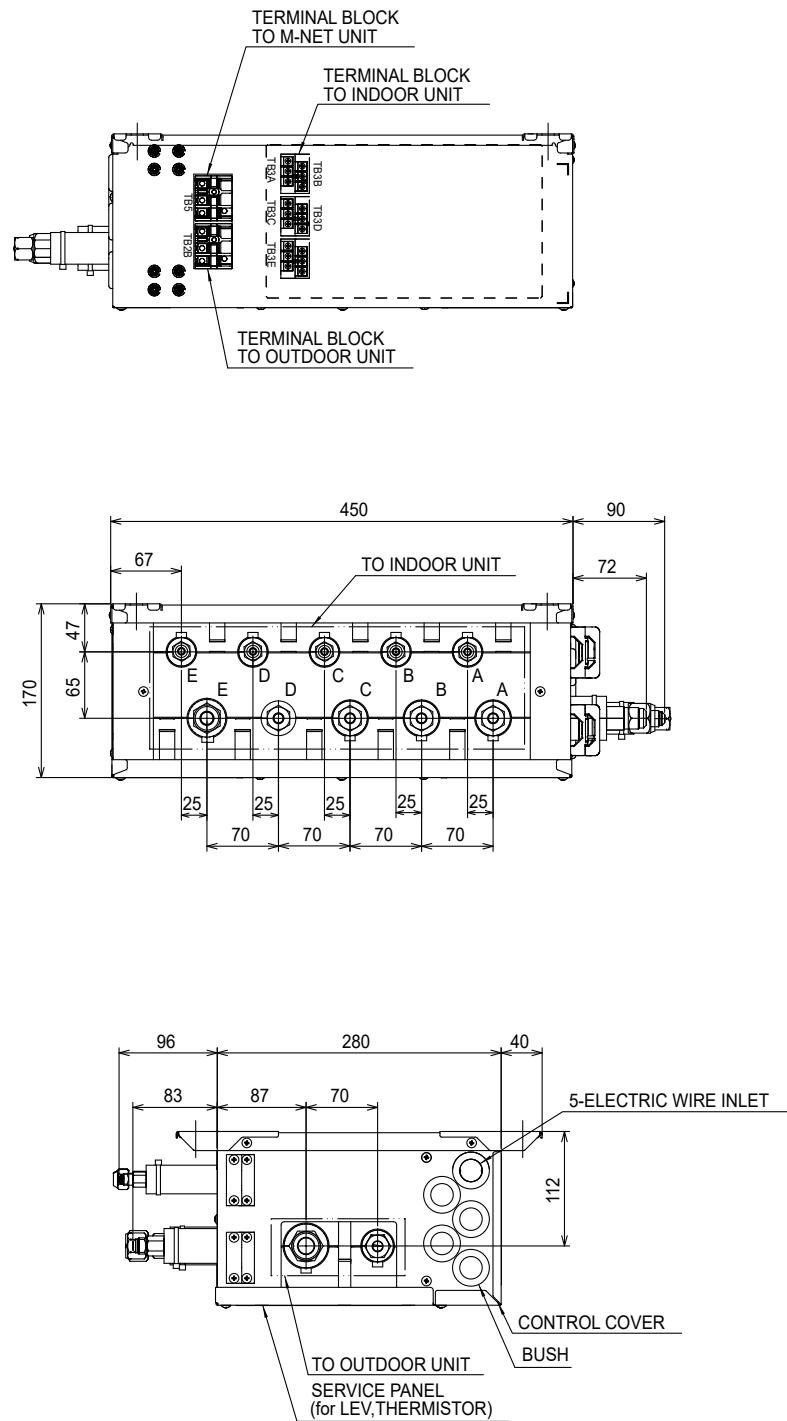
1.37 PAC-MK34BC
Multi-split branch boxes

[BACK TO CONTENTS](#)



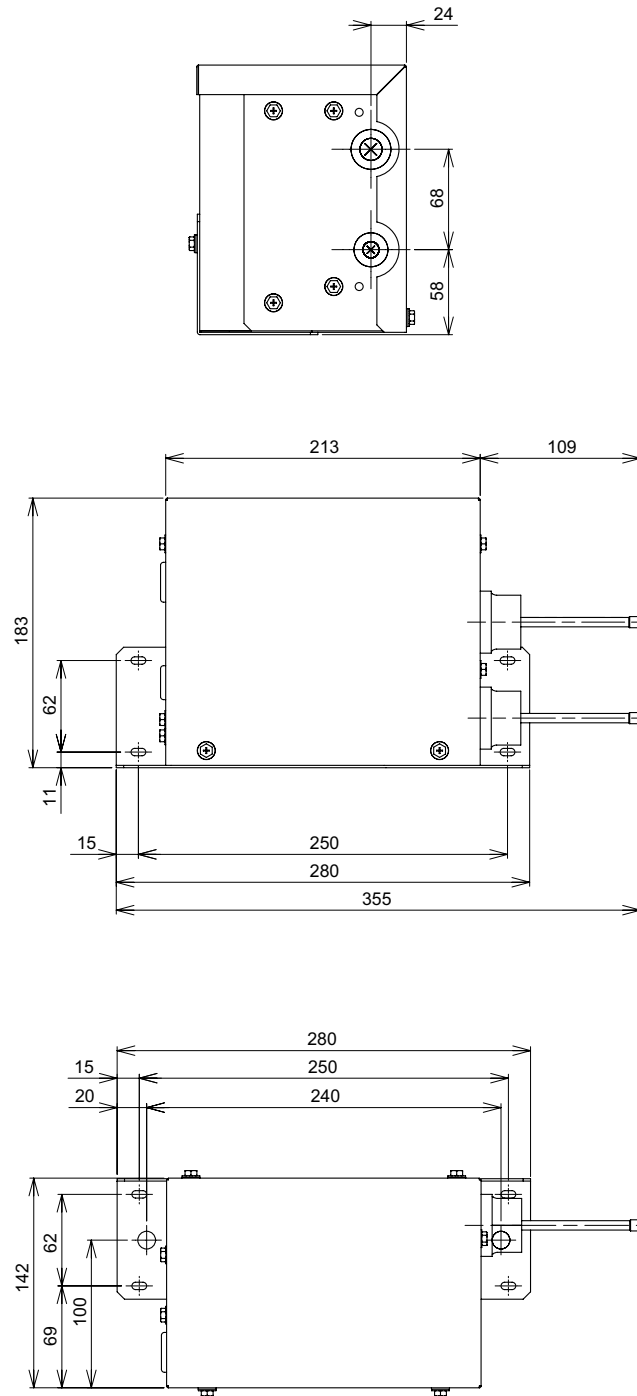
1.38 PAC-MK54BC
Multi-split branch boxes

[BACK TO CONTENTS](#)



1.39 PAC-LV11M-J
Multi-split branch boxes

[BACK TO CONTENTS](#)



2. Mr. Slim

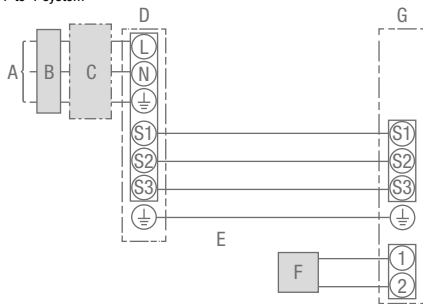
2.1 Electrical connection diagram for Mr. Slim inverter systems

[BACK TO CONTENTS](#)

Electrical connection diagram for Mr. Slim inverter systems

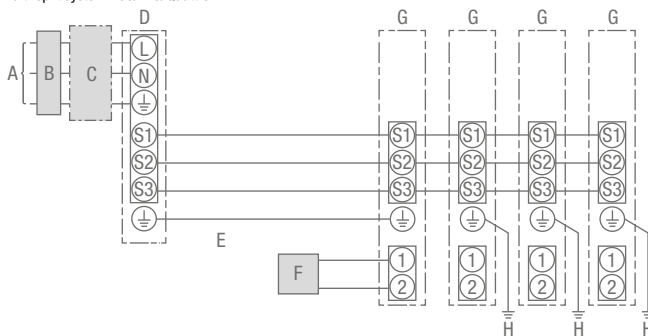
The voltage supply of the outdoor unit depends on the unit type

1-to-1 system



- A Voltage supply of outdoor unit
- B Fault-current circuit breaker
- C Fuse
- D Outdoor unit
- E Connection pipe between indoor and outdoor unit
- F Remote controller
- G Indoor unit (sizes 200 and 250 require separate voltage supply)

Multi-split system Duo/Trio/Quattro



- A Mains connection of outdoor system
- B Earth fault interrupter
- C Interrupter or disconnector
- D Outdoor system
- E Connection cable, indoor unit – outdoor system
- F Remote controller
- G Indoor unit
- H Earth line of indoor unit

Specifications for control lines between indoor and outdoor unit

Number of wires and cross-section (mm ²)	Indoor unit – outdoor unit ¹	4 x 1.5 mm ²
	Remote controller connection ²	2 x 0.3 mm ²
Rated voltage of current circuit	Indoor unit – outdoor unit ³	AC 230 V
	Indoor unit – outdoor unit ³	DC 24 V
	Remote controller connection ³	DC 12 V

1 For system sizes 35–140, max. 45 m.

If 2.5 mm² used, max. 50 m.

If 2.5 mm² used and S3 separated, max. 80 m.

For system sizes 200–250, max. 18 m.

If 2.5 mm² used, max. 30 m.

If 4 mm² used and S3 separated, max. 50 m.

If 6 mm² used and S3 separated, max. 80 m.

2 Remote controller accessory is equipped with a 10 m electrical line.

Max. possible line length 500 m.

3 Data NOT always in relation to earth line.

Terminal S3 has 24 V DC in relation to terminal S2. Between terminals S3 and S1, there is no electrical insulation via the transformer or any other electrical unit.

Notes:

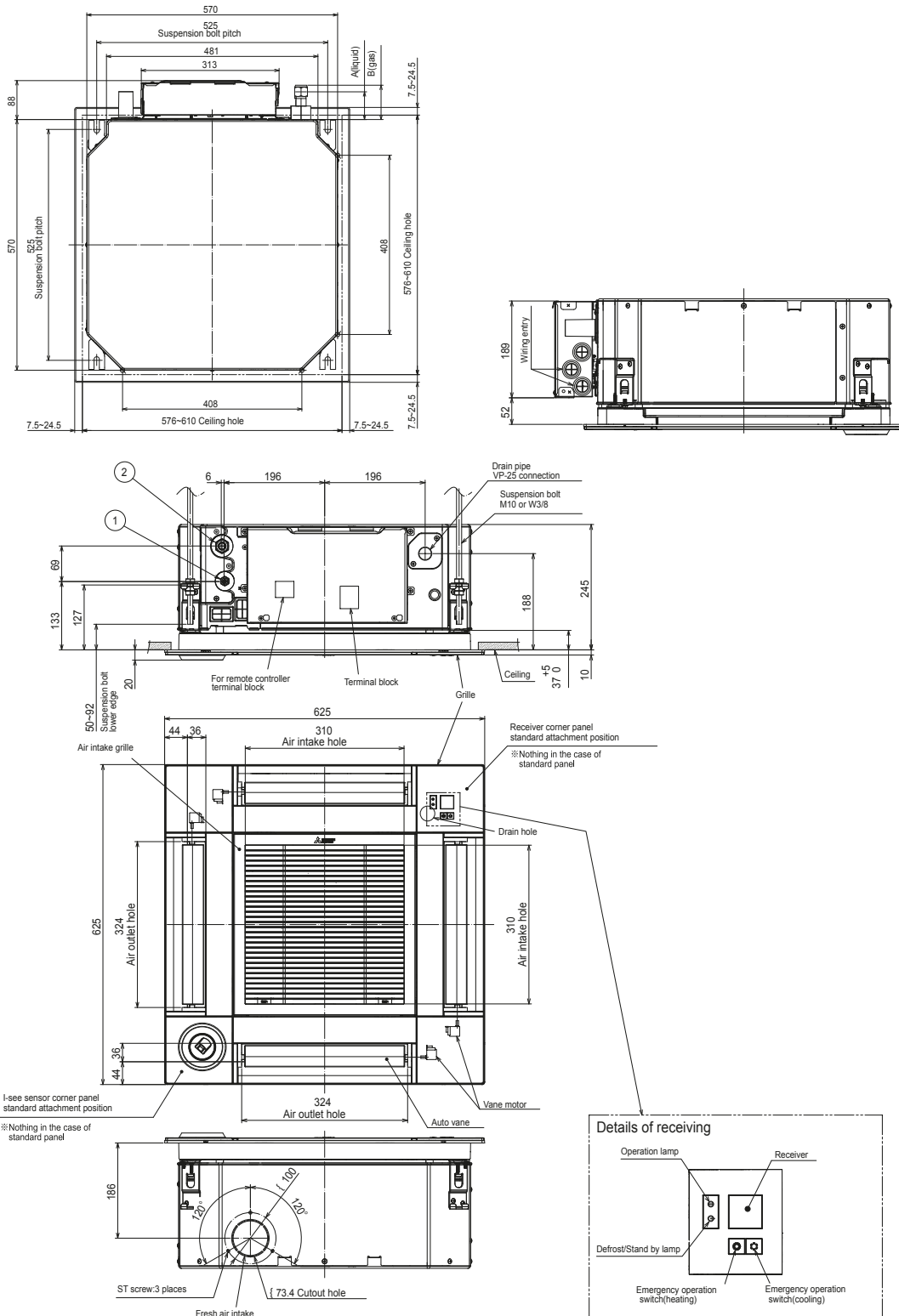
1. The size of the electrical line must comply with the respective local and national statutory regulations.

2. At least one polychloroprene-coated flexible cable (corresponding to 60245 IEC 57) must be used for the power supply and for connecting the indoor unit and outdoor system.

3. Install an earth line that is longer than the other cables.

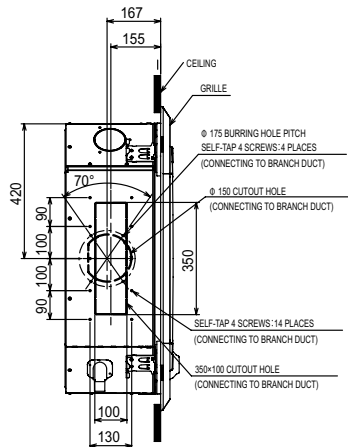
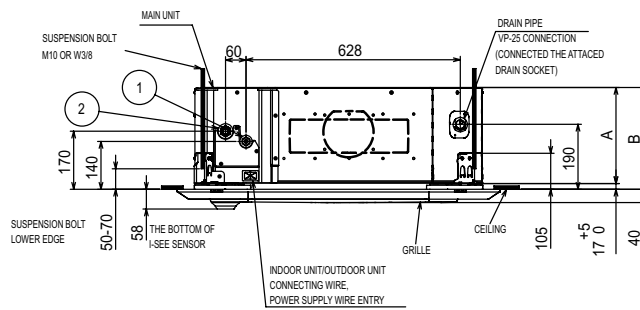
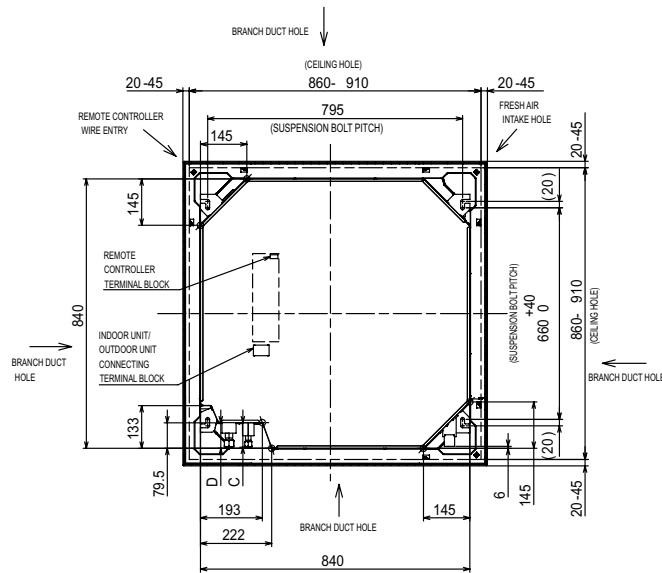
2.2 SLZ-M35-60FA2
SLZ-M Deckenkassetten

[BACK TO CONTENTS](#)



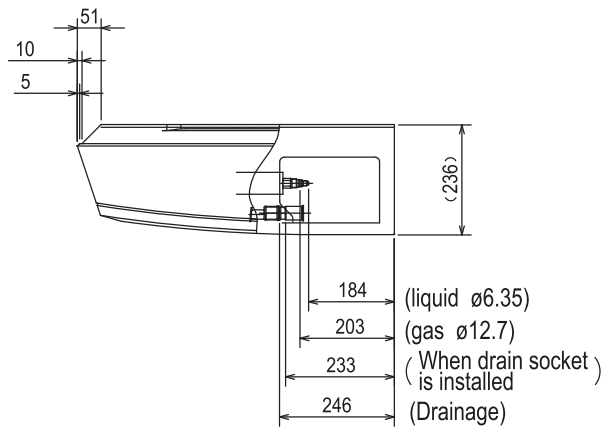
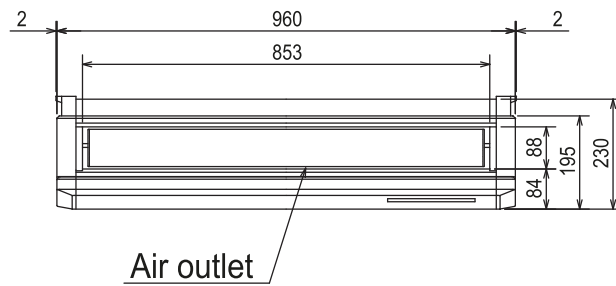
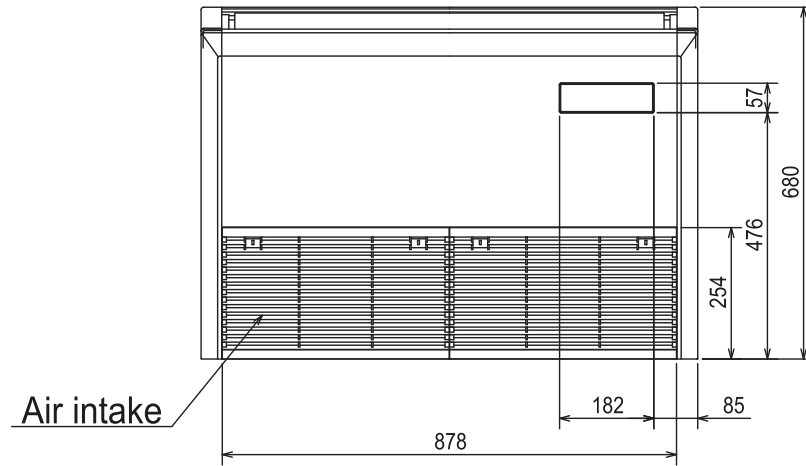
2.3 PLA-ZM/M35-140EA2
 PLA-ZM ceiling cassette

[BACK TO CONTENTS](#)



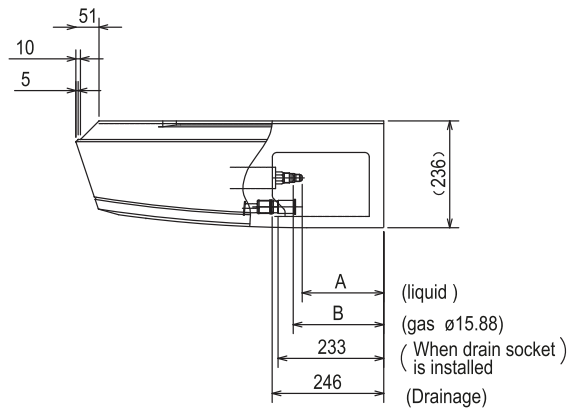
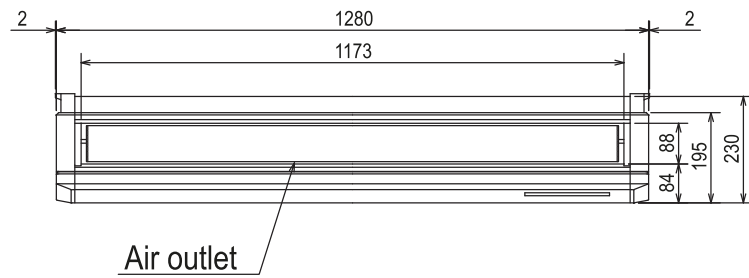
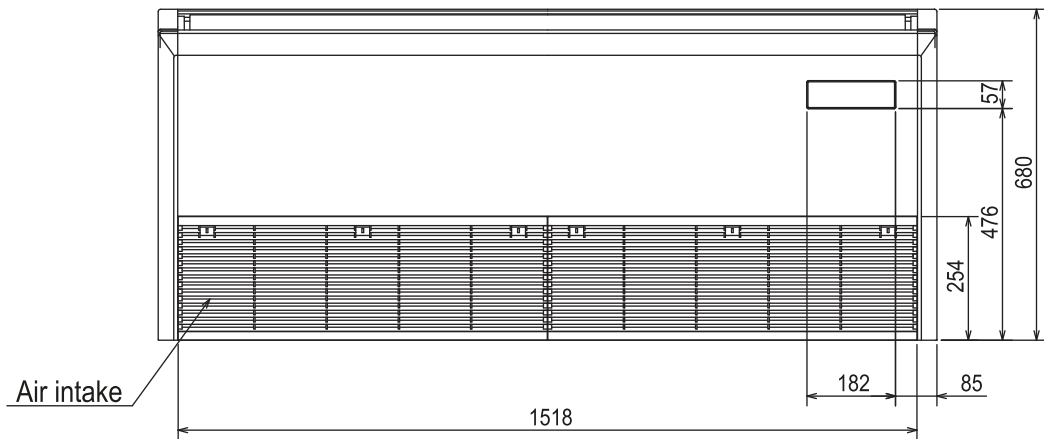
2.4 PCA-M35/50KA2
PCA-M ceiling suspended units

[BACK TO CONTENTS](#)



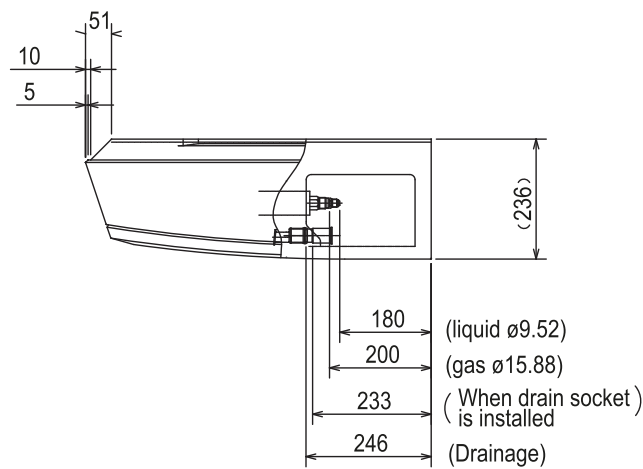
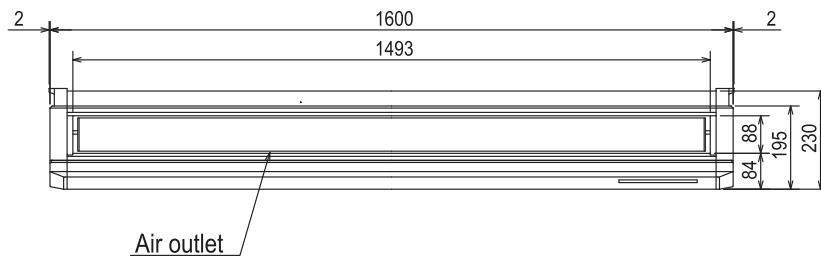
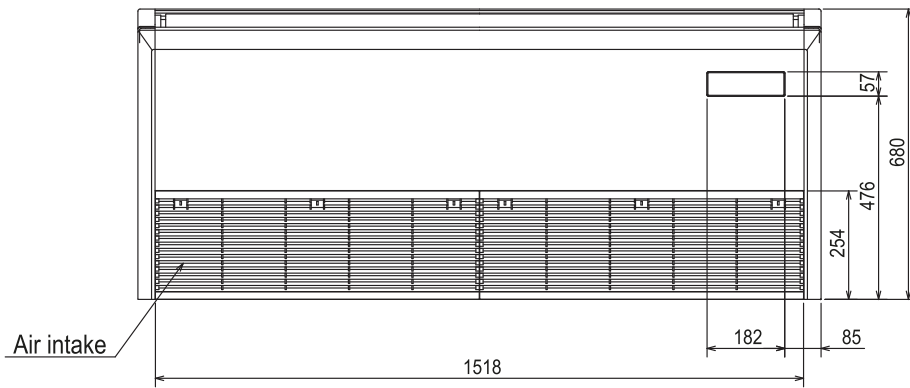
2.5 PCA-M60/71KA2
PCA-M ceiling suspended units

[BACK TO CONTENTS](#)



2.6 PCA-M100-140KA2
PCA-M ceiling suspended units

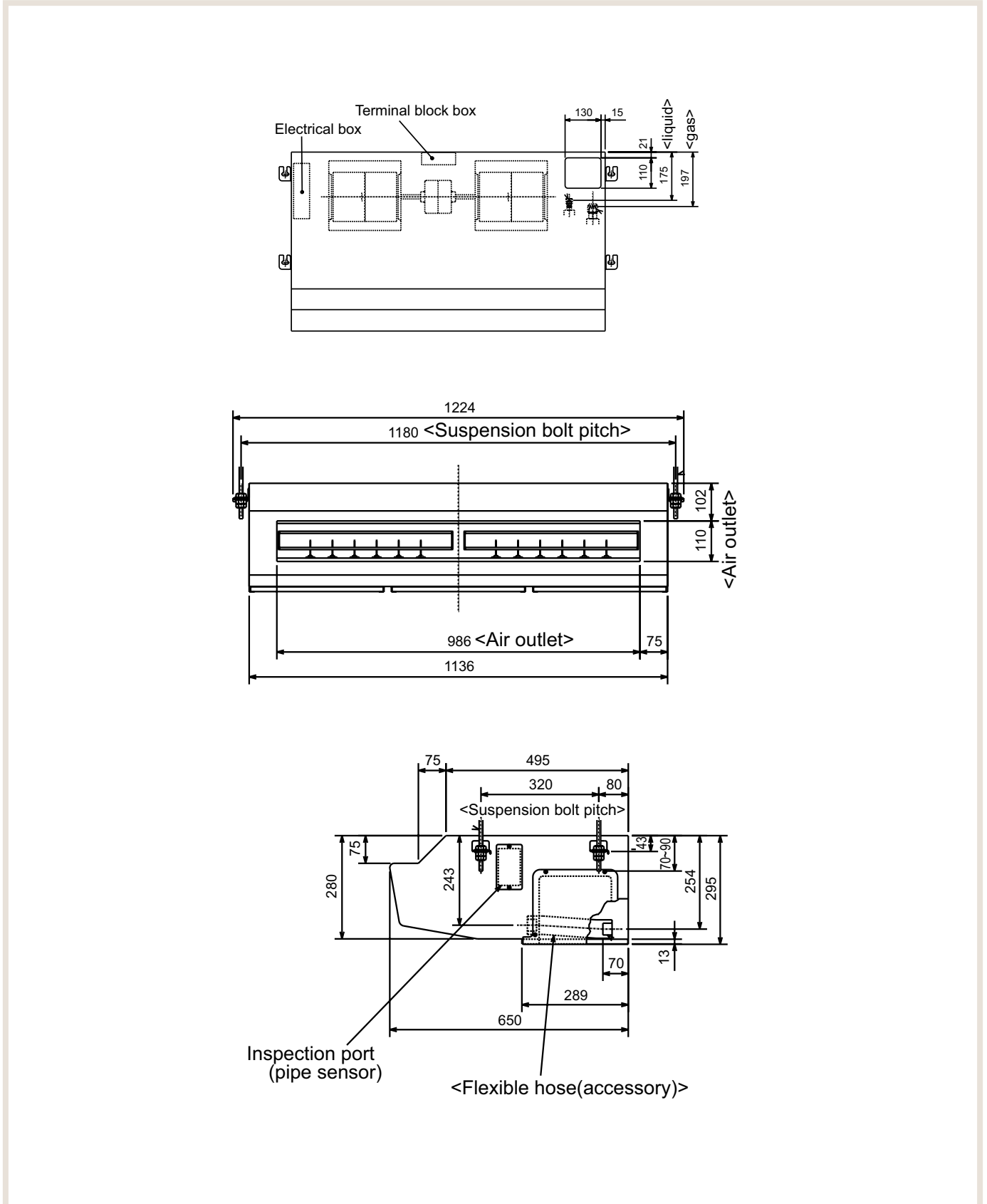
[BACK TO CONTENTS](#)



2.7 PCA-M71HA2

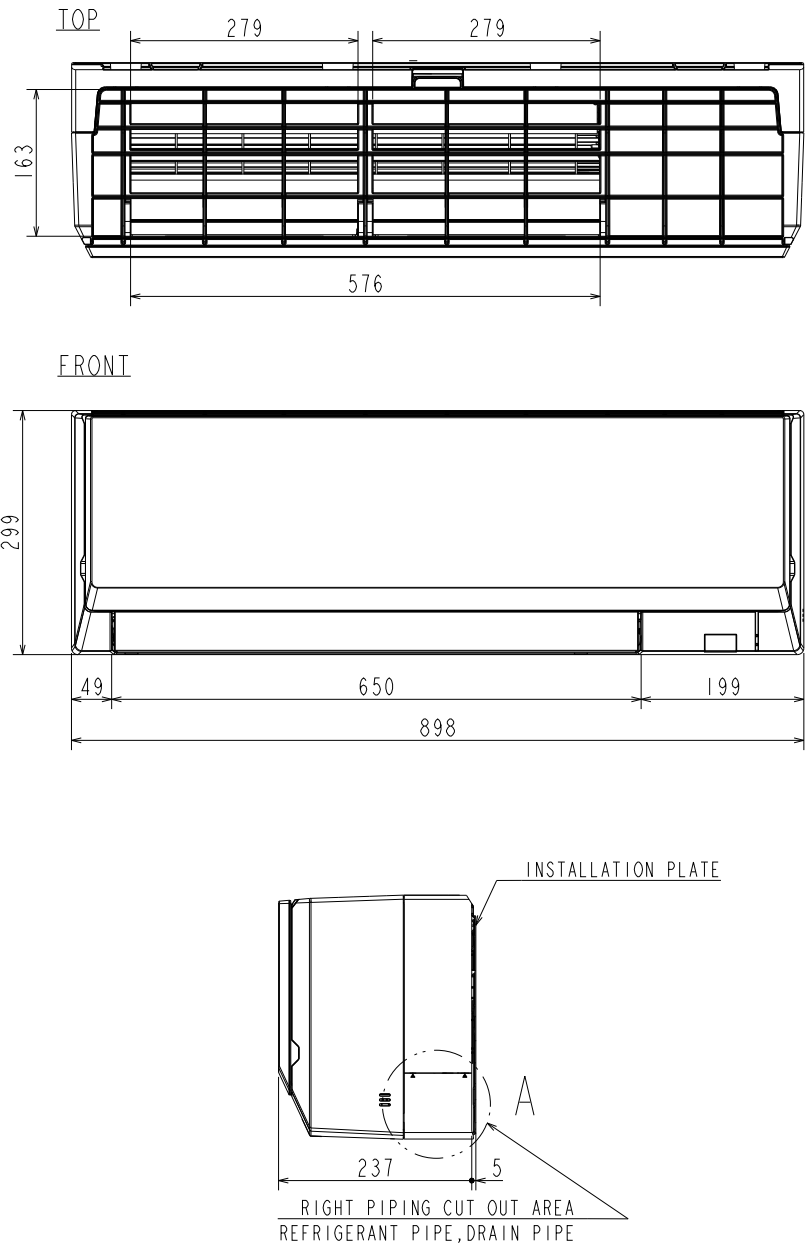
PCA-M stainless steel ceiling suspended units

[BACK TO CONTENTS](#)



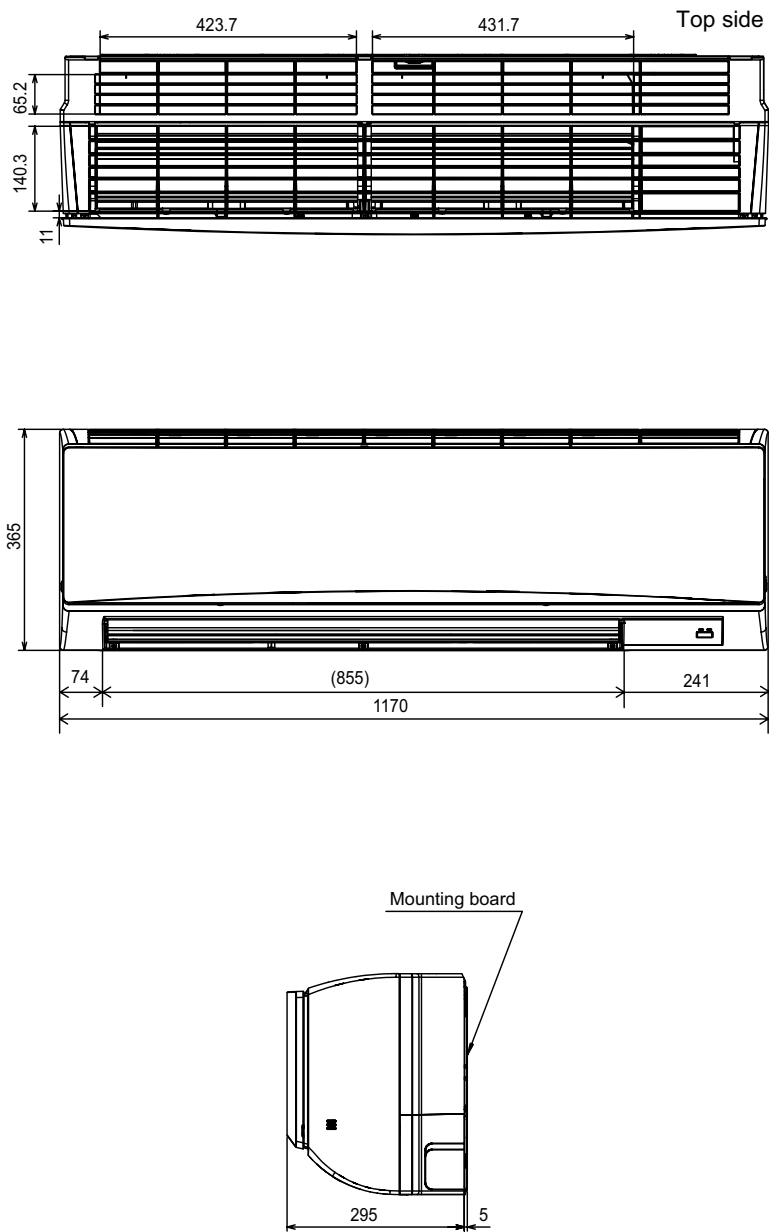
2.8 PKA-M35/50LAL2
 PKA-M wall mounted units

[BACK TO CONTENTS](#)



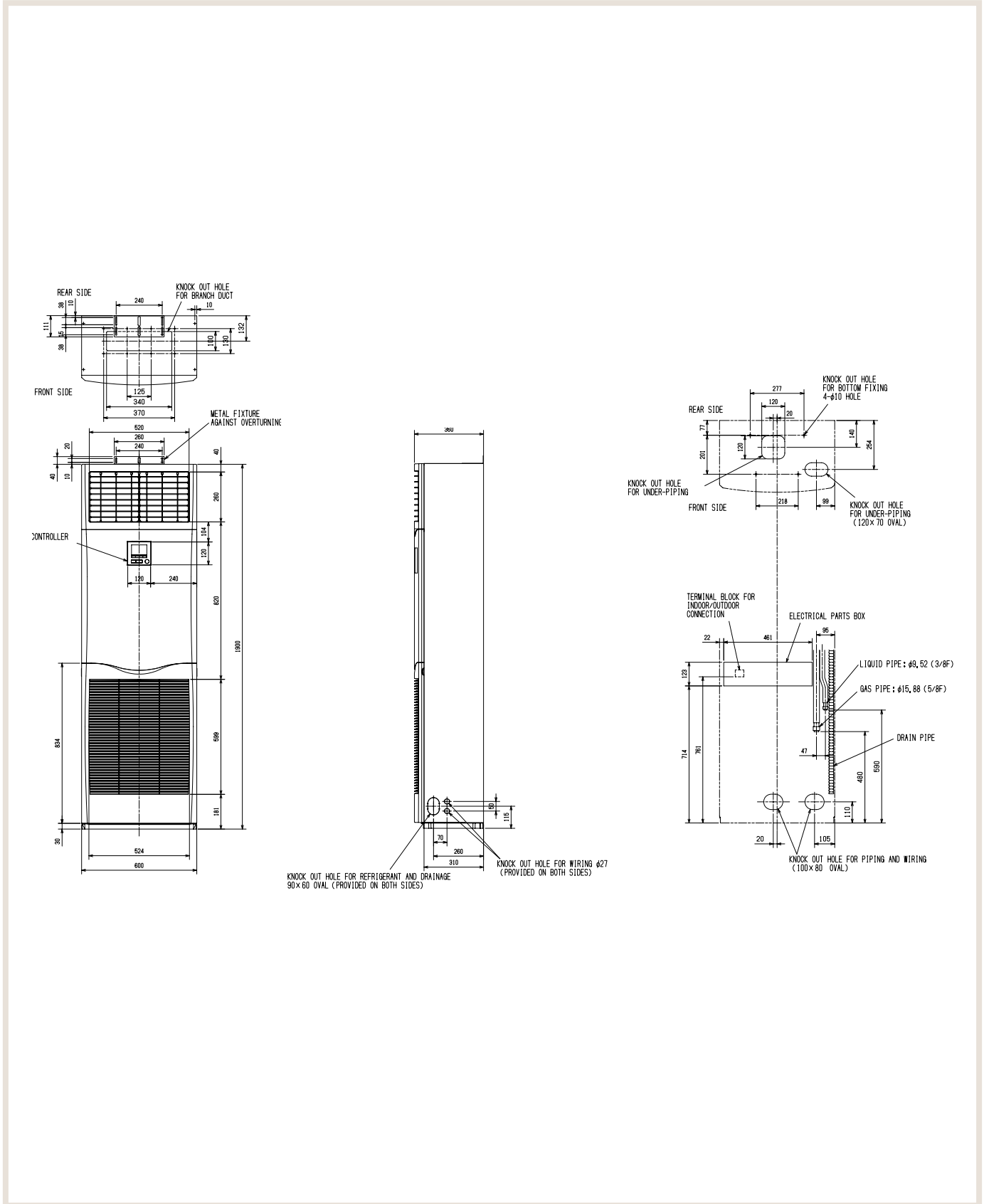
2.9 PKA-M60-100KAL2
 PKA-M wall mounted units

[BACK TO CONTENTS](#)



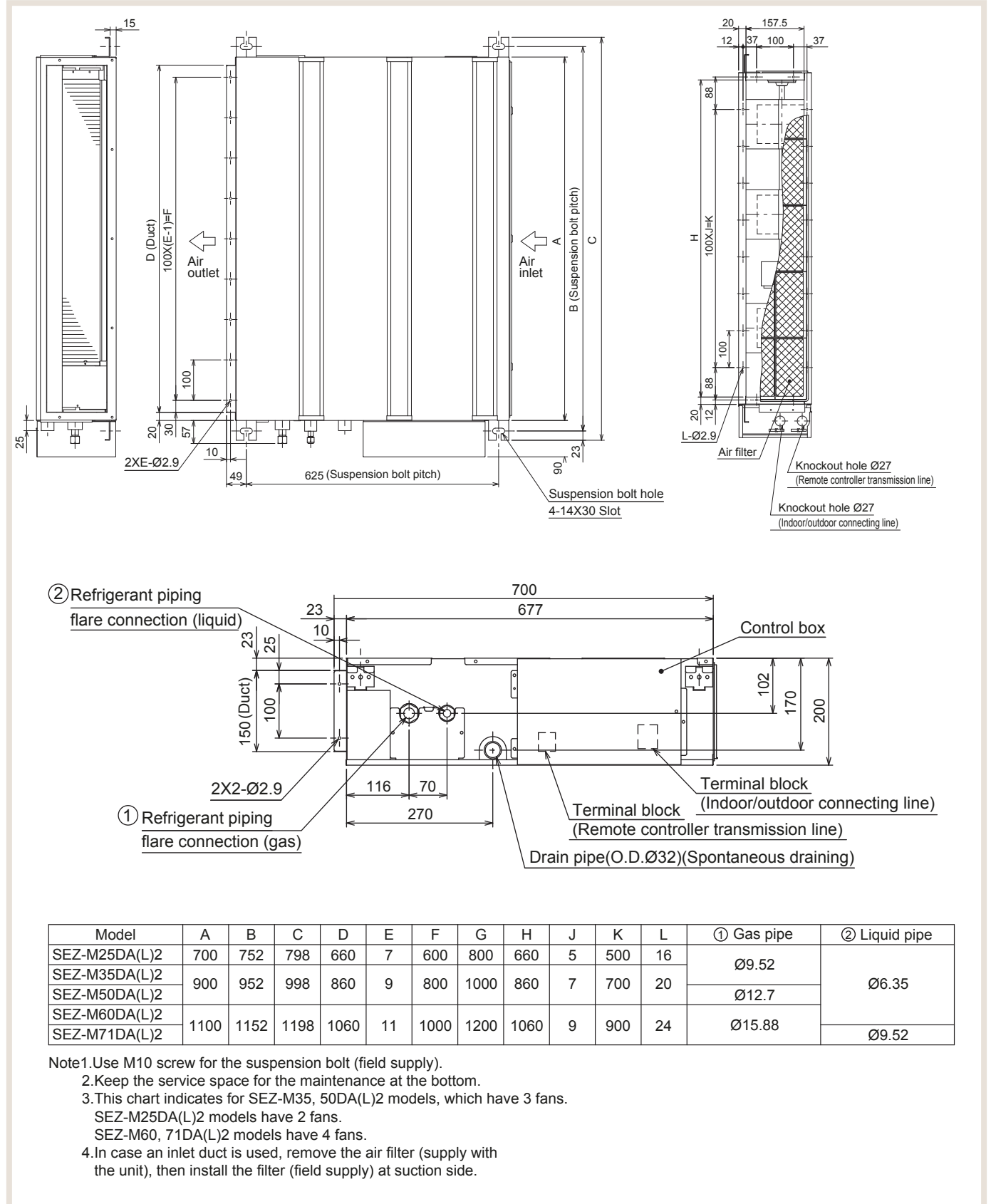
2.10 PSA-M71-140KA
PSA-M floor mounted units

[BACK TO CONTENTS](#)



2.11 SEZ-M35DA-71DA2
SEZ-M ceiling concealed ducted units

[BACK TO CONTENTS](#)

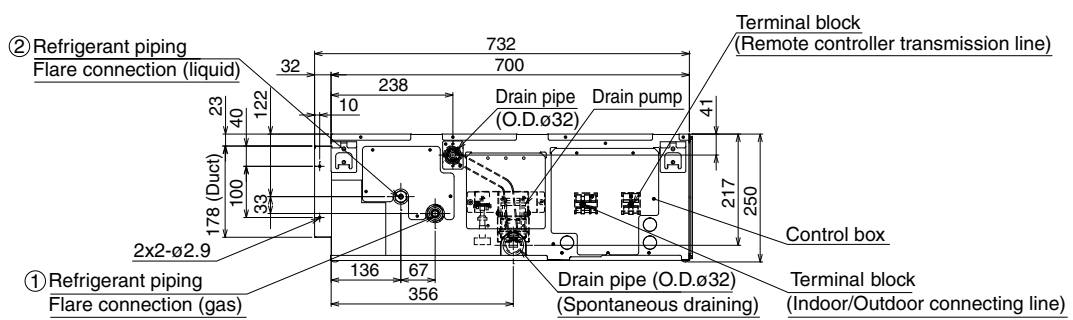
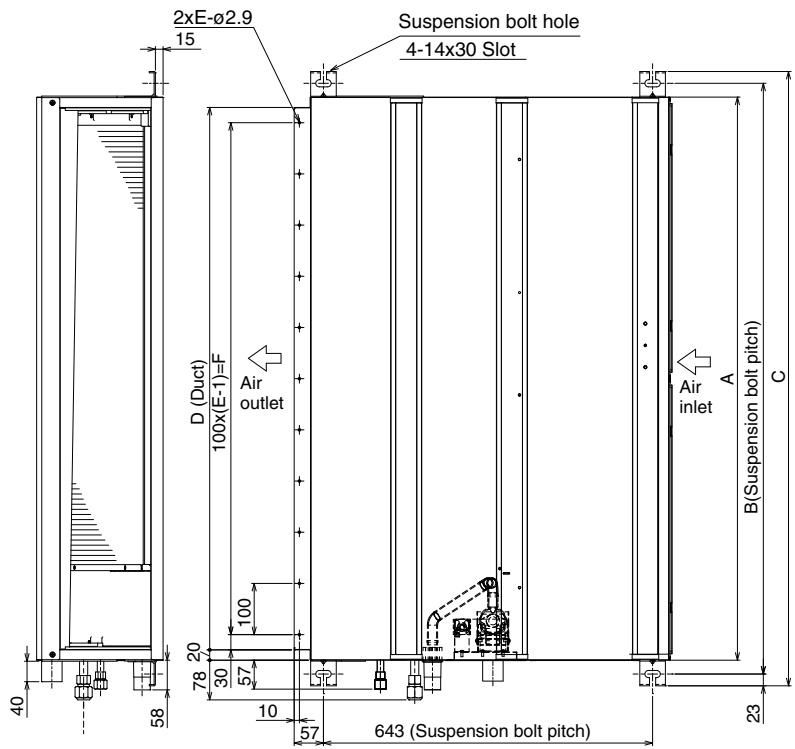


Model	A	B	C	D	E	F	G	H	J	K	L	① Gas pipe	② Liquid pipe
SEZ-M25DA(L)2	700	752	798	660	7	600	800	660	5	500	16	Ø9.52	Ø6.35
SEZ-M35DA(L)2	900	952	998	860	9	800	1000	860	7	700	20		
SEZ-M50DA(L)2													
SEZ-M60DA(L)2	1100	1152	1198	1060	11	1000	1200	1060	9	900	24	Ø15.88	Ø9.52
SEZ-M71DA(L)2													

- Note1. Use M10 screw for the suspension bolt (field supply).
 2. Keep the service space for the maintenance at the bottom.
 3. This chart indicates for SEZ-M35, 50DA(L)2 models, which have 3 fans.
 SEZ-M25DA(L)2 models have 2 fans.
 SEZ-M60, 71DA(L)2 models have 4 fans.
 4. In case an inlet duct is used, remove the air filter (supply with the unit), then install the filter (field supply) at suction side.

2.12 PEAD-M35-140JA2
PEAD-M ceiling concealed ducted units

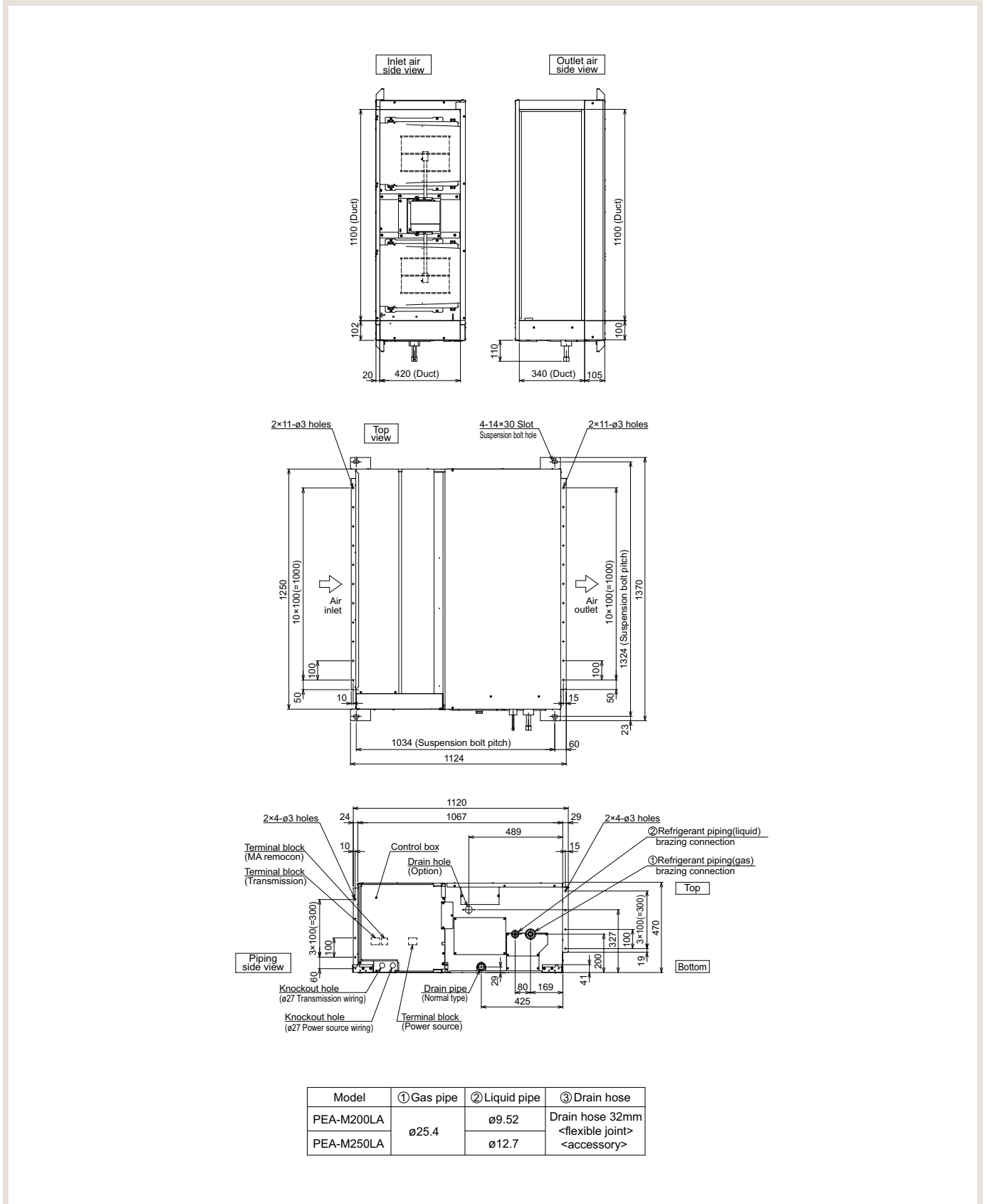
[BACK TO CONTENTS](#)



Model	A	B	C	D	E	F	G	H	J	K	L	M	N	*Setting at shipment	
														① Gas pipe	② Liquid pipe
PEAD-M35, 50JA	900	954	1000	860	9	800	858	1000	54	260	4	780	10	ϕ 12.7	ϕ 6.35
PEAD-M60JA	1100	1154	1200	1060	11	1000	1058	1200	49	330	4	990	10	ϕ 15.88	Outdoor unit (SUZ): ϕ 6.35
PEAD-M71JA															Outdoor unit (other): ϕ 9.52*
PEAD-M100, 125JA	1400	1454	1500	1360	14	1300	1358	1500	54	320	5	1280	12	ϕ 15.88	ϕ 9.52
PEAD-M140JA	1600	1654	1700	1560	16	1500	1558	1700	54	370	5	1480	12		

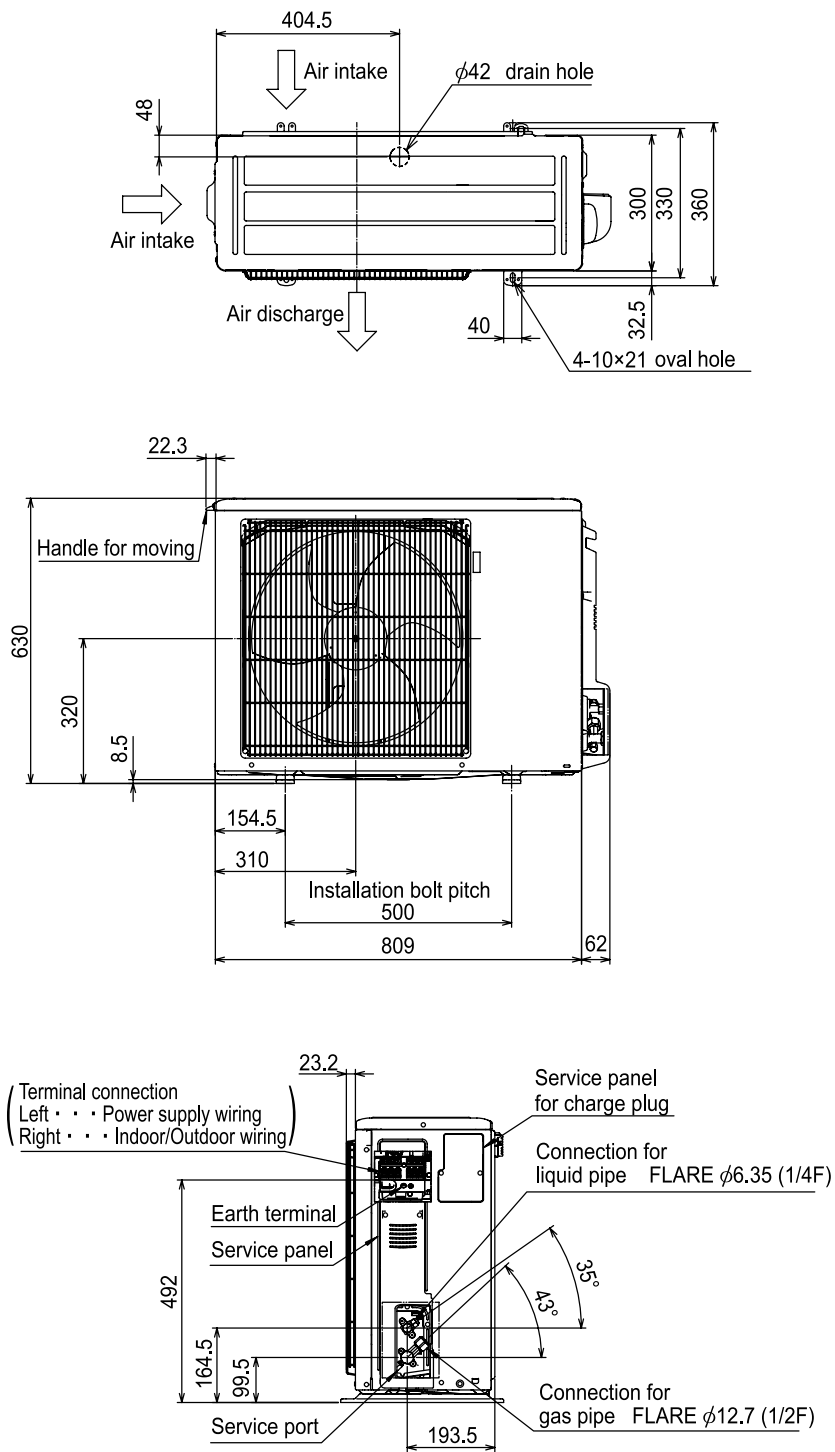
2.13 PEA-M200 / 250LA
PEA-M ceiling concealed ducted units

[BACK TO CONTENTS](#)



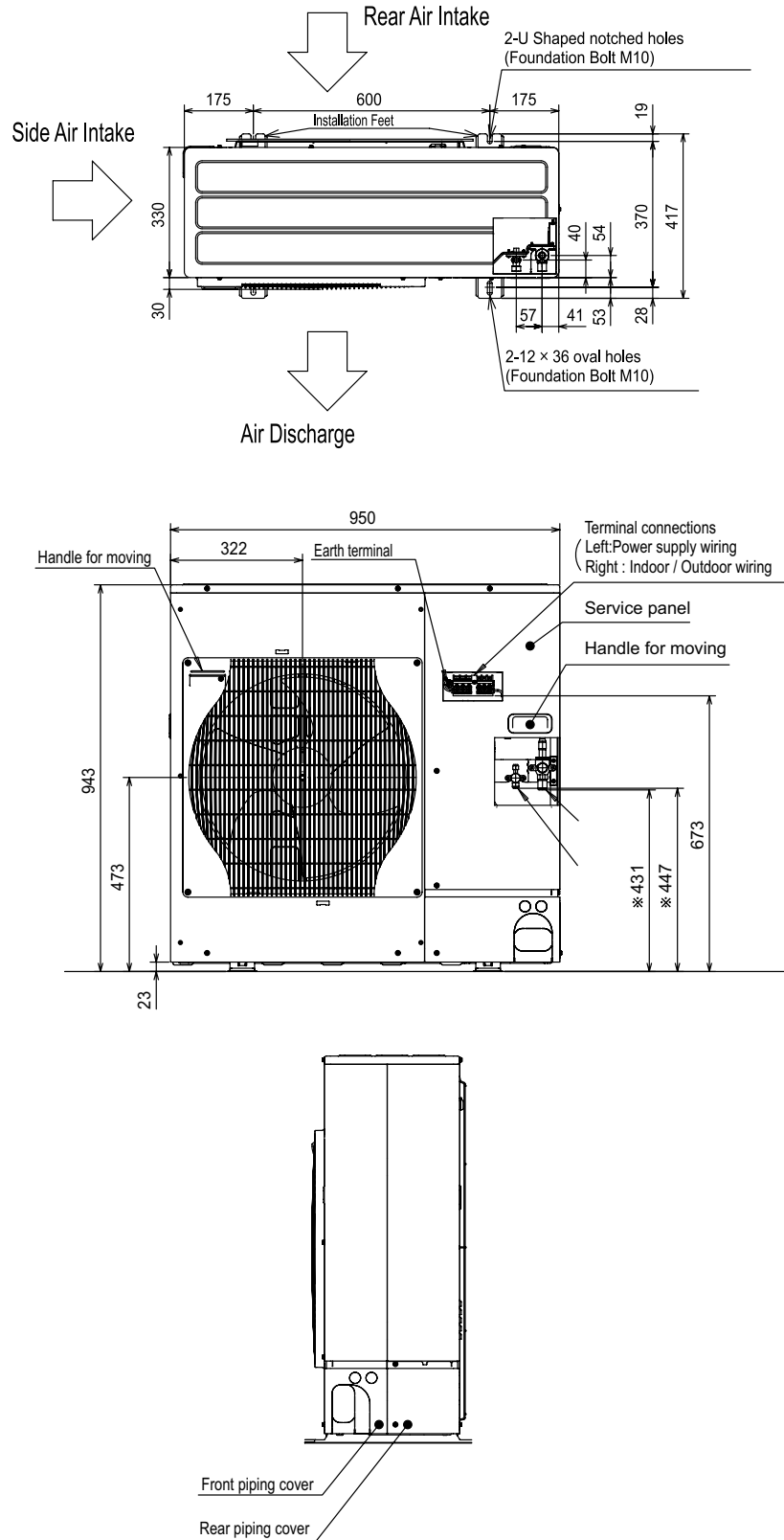
2.14 PUZ-ZM35/50VKA2
Power Inverter outdoor units

[BACK TO CONTENTS](#)



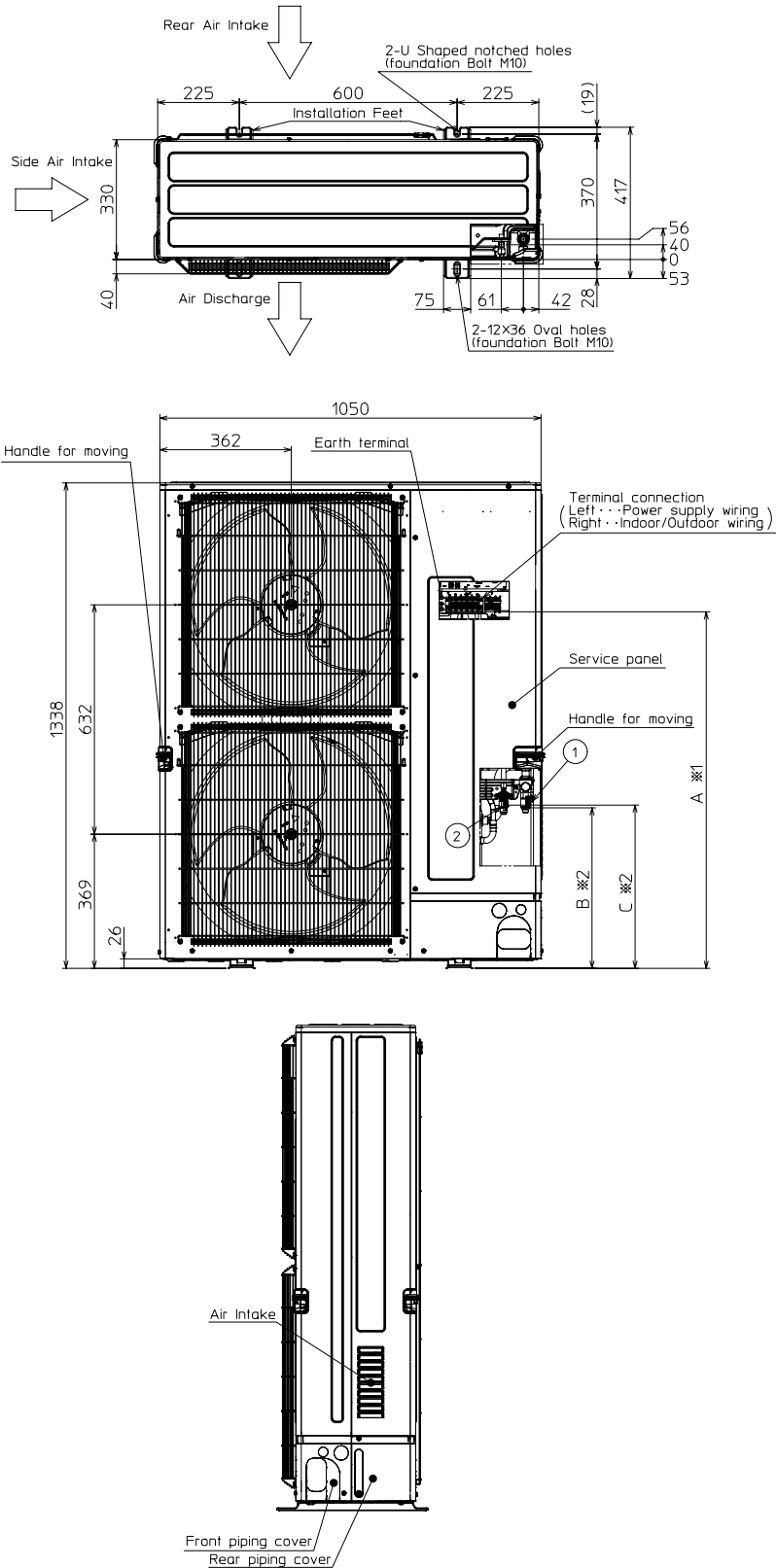
2.15 PUZ-ZM60/71VHA2
Power Inverter outdoor units

[BACK TO CONTENTS](#)



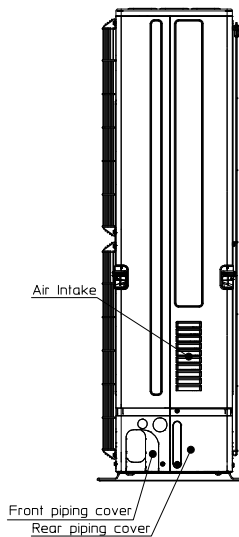
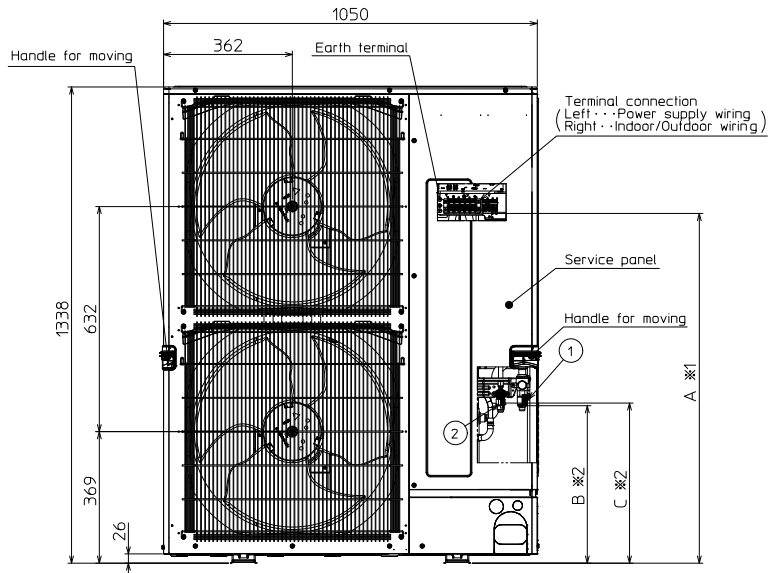
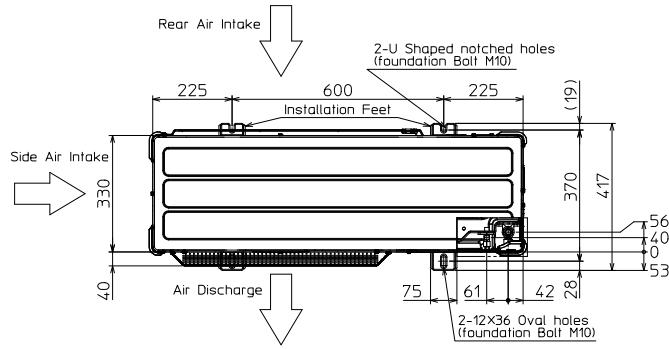
2.16 PUZ-ZM100-140VKA/YKA2
Power Inverter outdoor units

[BACK TO CONTENTS](#)



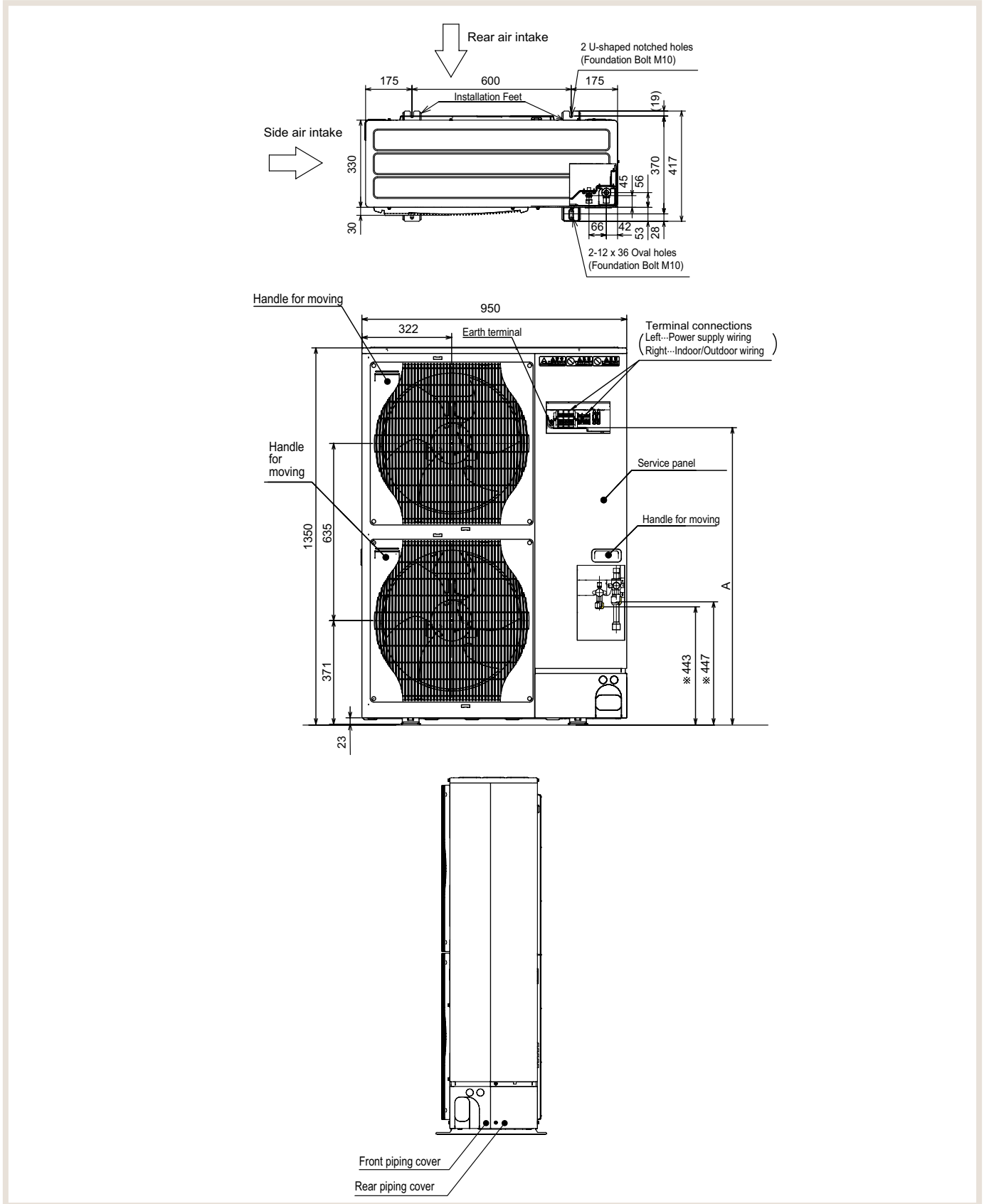
2.17 PUHZ-ZRP100-140VKA/YKA2/PUZ-ZM200/250YKA2
Power Inverter outdoor units

[BACK TO CONTENTS](#)



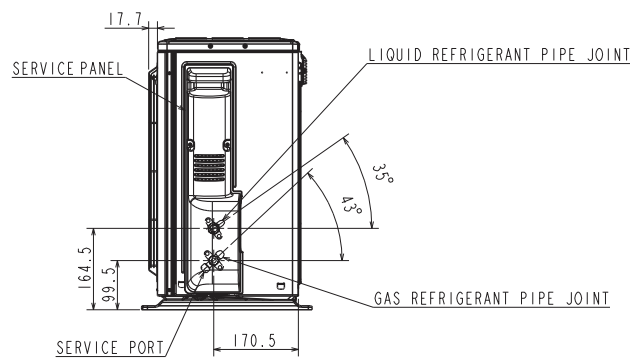
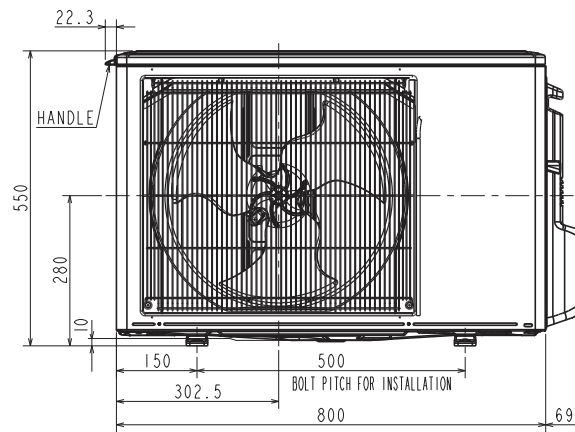
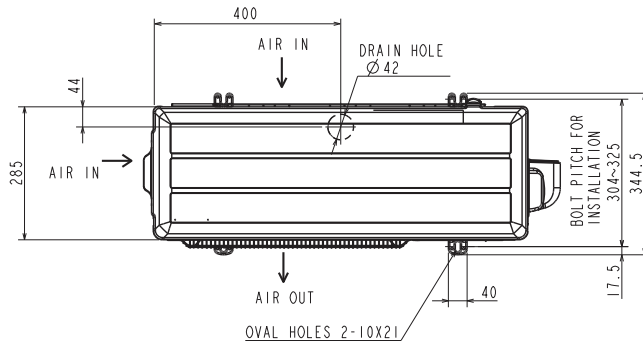
2.18 PUHZ-SHW112/140VHA-A/YHA-A
New-generation Zubadan Inverter outdoor units

[BACK TO CONTENTS](#)



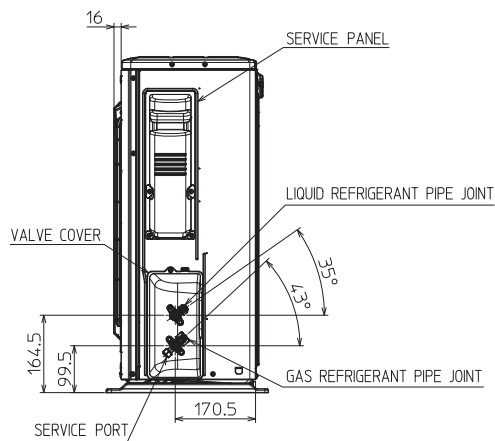
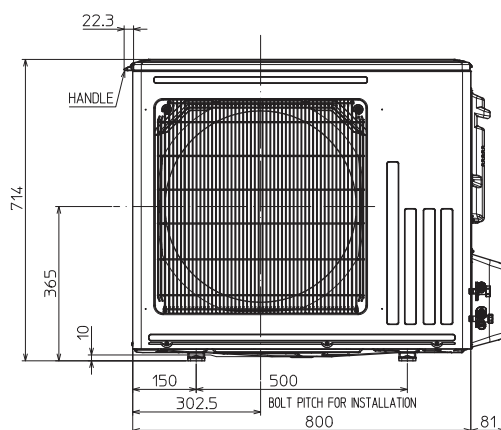
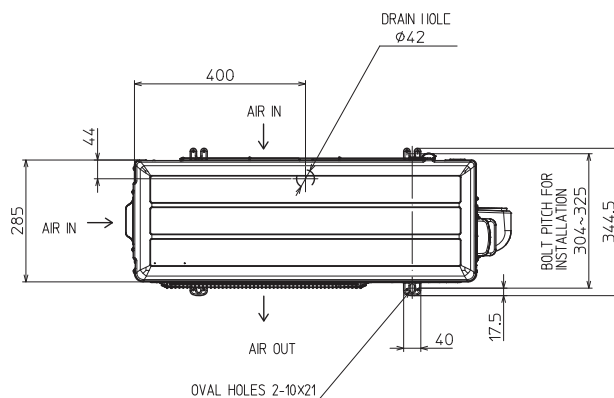
2.19 SUZ-M35VA
Standard Inverter outdoor units

[BACK TO CONTENTS](#)



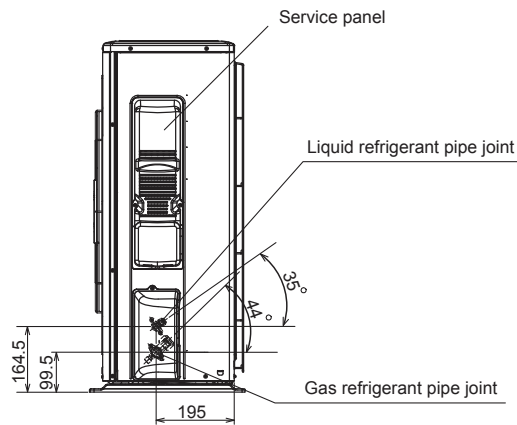
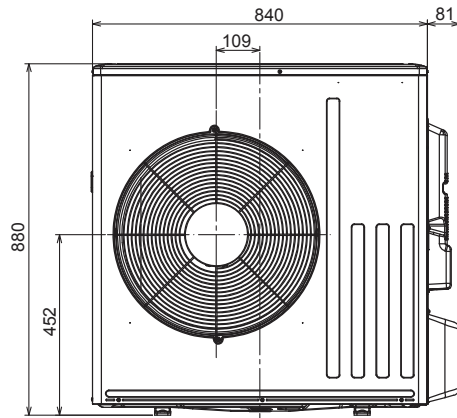
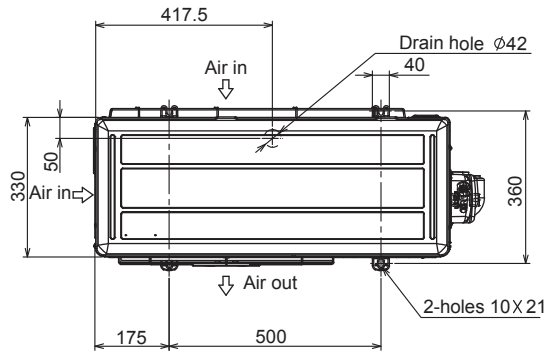
2.20 SUZ-M50VA
Standard Inverter outdoor units

[BACK TO CONTENTS](#)



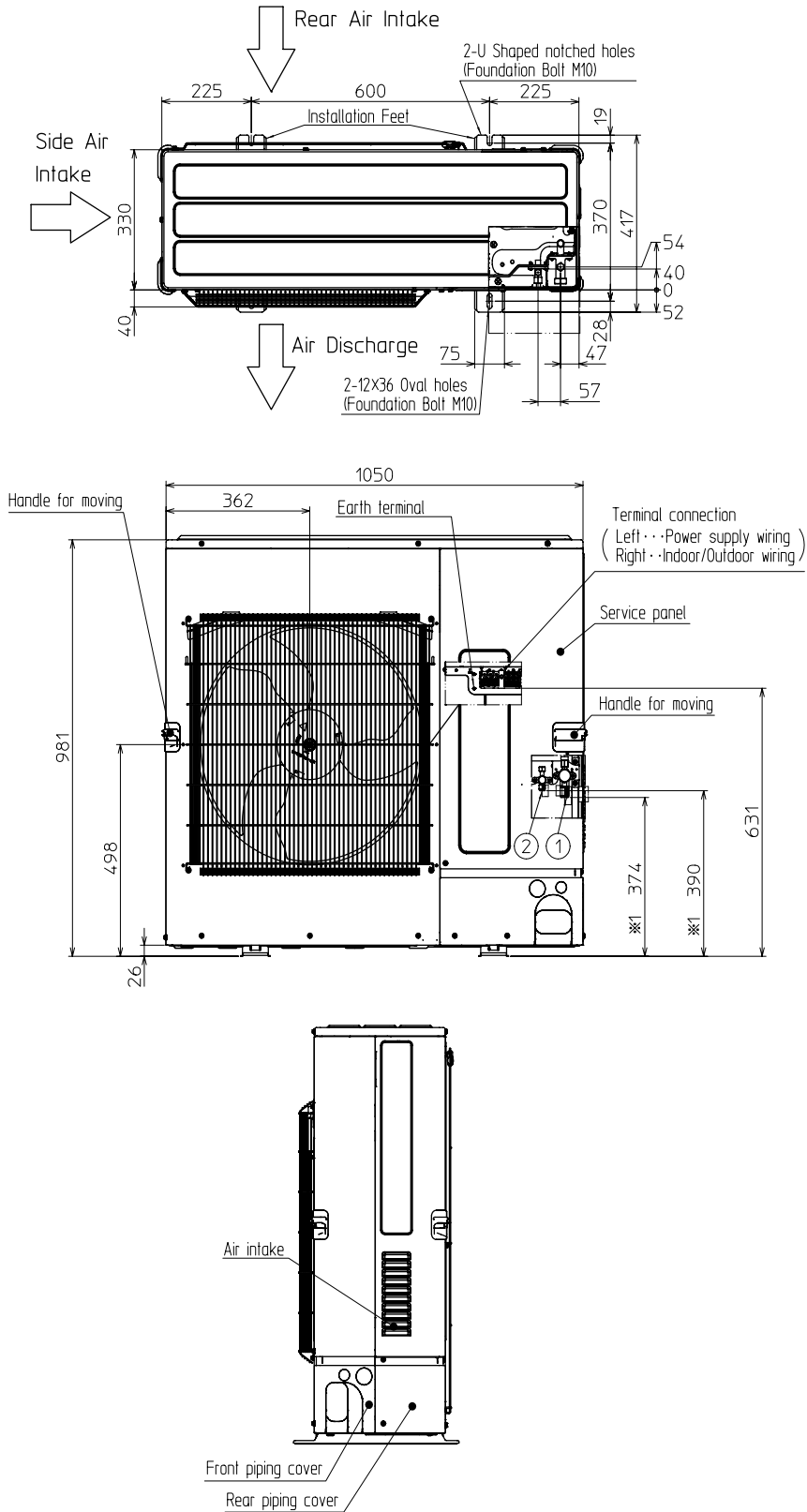
2.21 SUZ-M60/71VA
Standard Inverter outdoor units

[BACK TO CONTENTS](#)



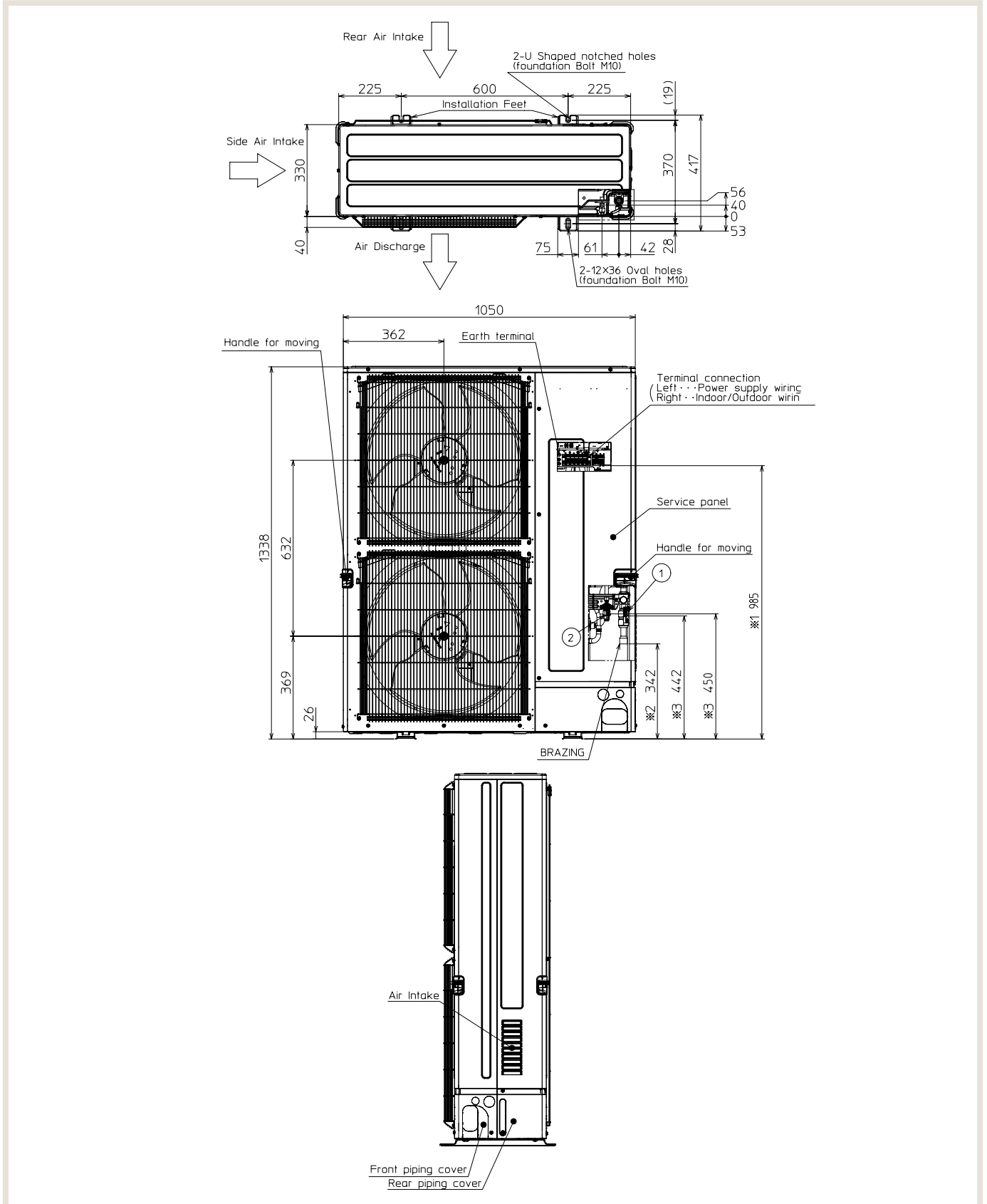
2.22 PUZ-M100-140VKA/YKA2
Standard Inverter outdoor units

[BACK TO CONTENTS](#)



2.23 PUZ-M200/250YKA2
Power Inverter outdoor units

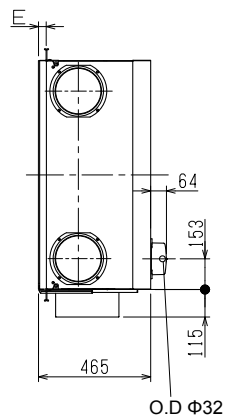
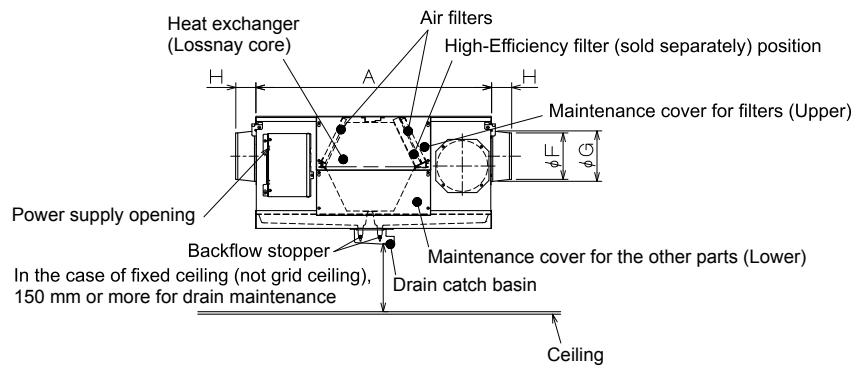
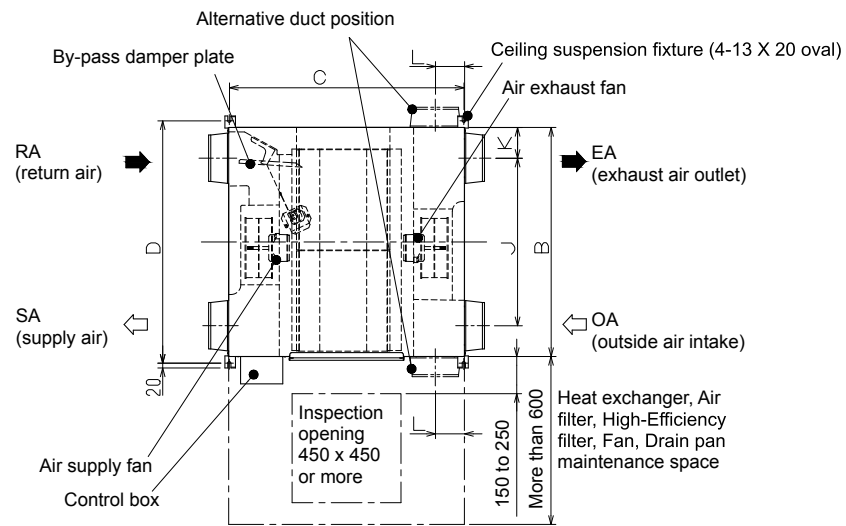
[BACK TO CONTENTS](#)



9. Lossnay

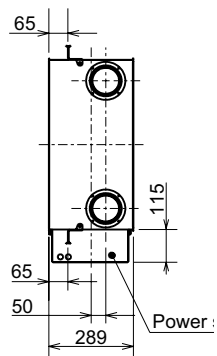
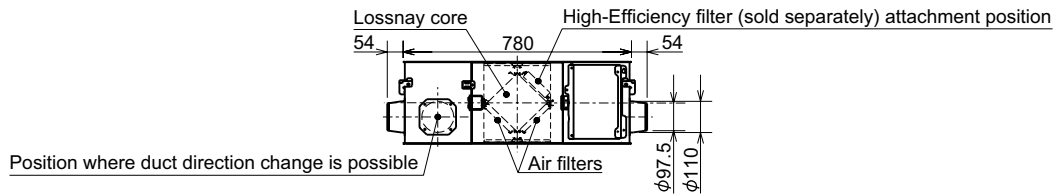
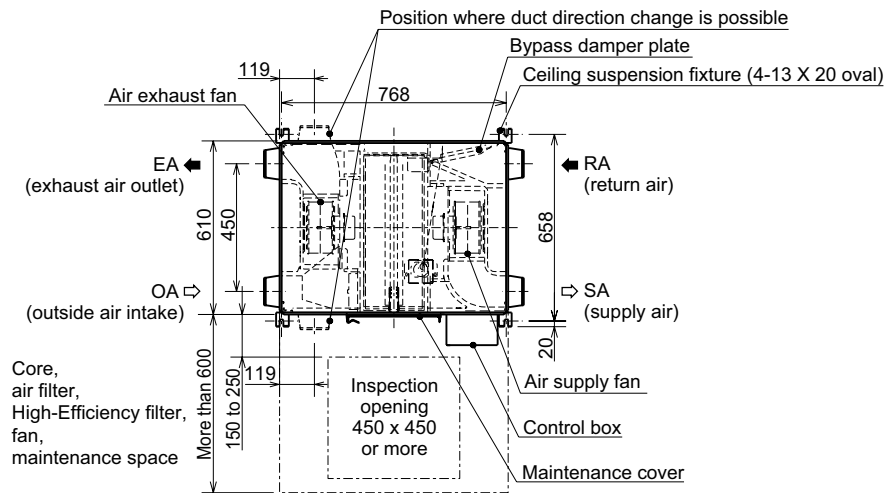
3.7 LGH-50/80/100RVS-E Ceiling concealed ducted units

[BACK TO CONTENTS](#)



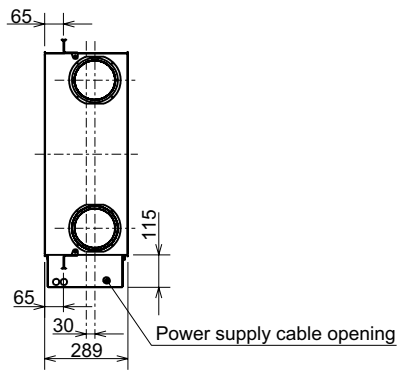
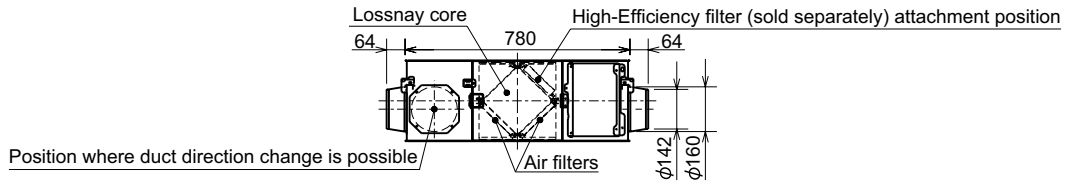
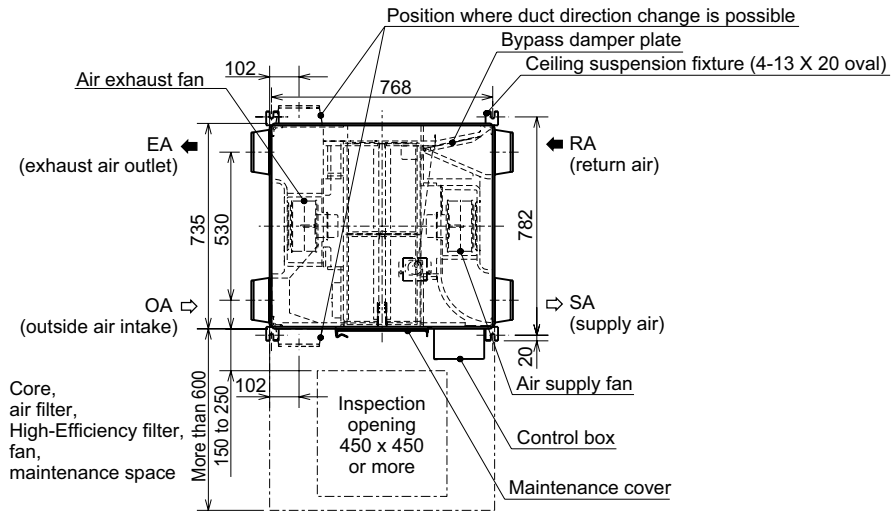
3.9 LGH-15RVX-E
Ceiling concealed ducted units

[BACK TO CONTENTS](#)



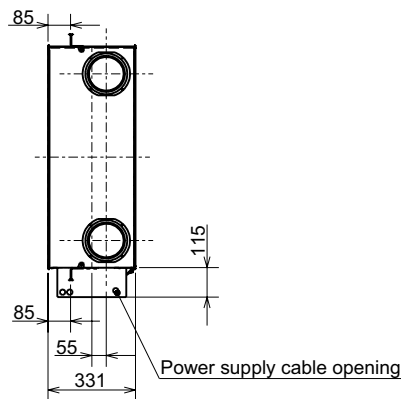
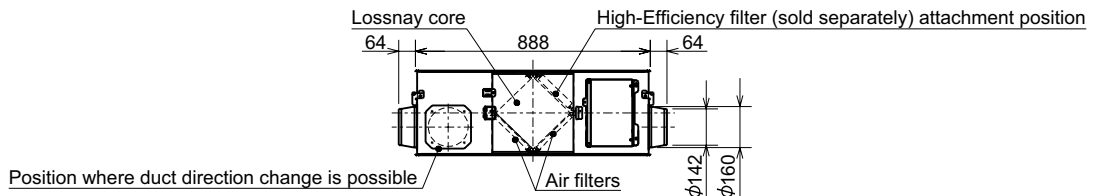
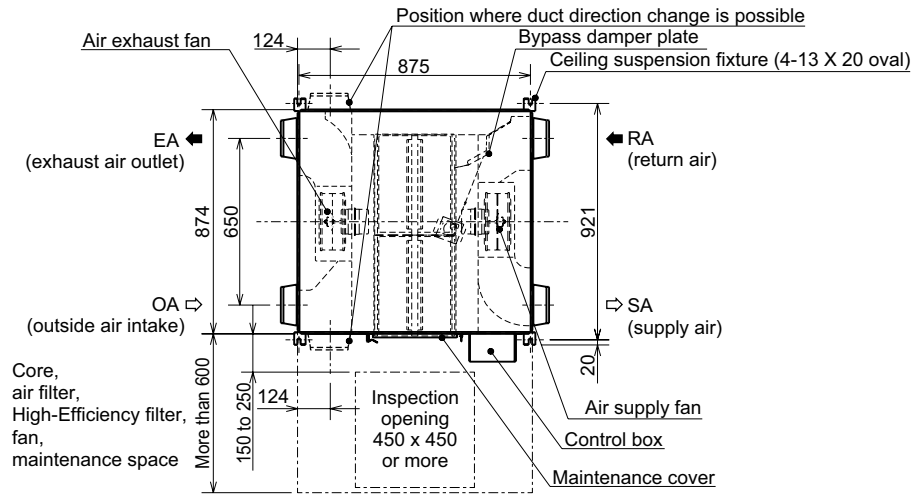
3.10 LGH-25RVX-E
Ceiling concealed ducted units

[BACK TO CONTENTS](#)



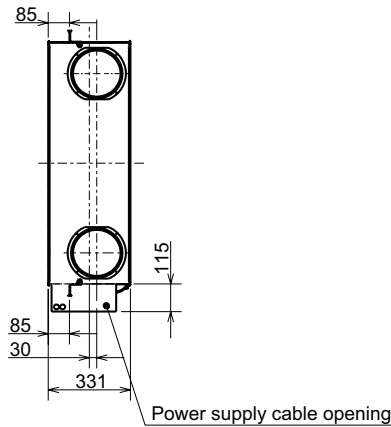
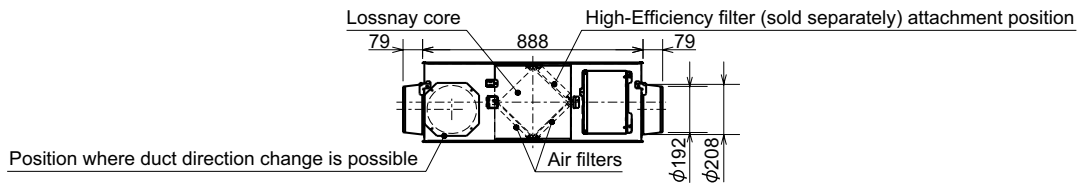
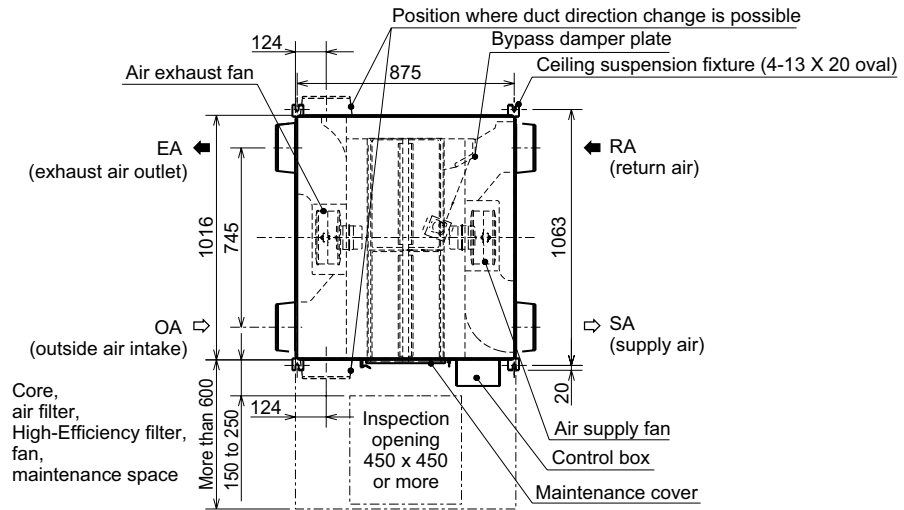
3.11 LGH35-RVX-E
Ceiling concealed ducted units

[BACK TO CONTENTS](#)



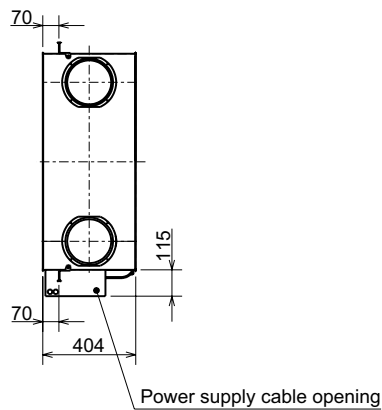
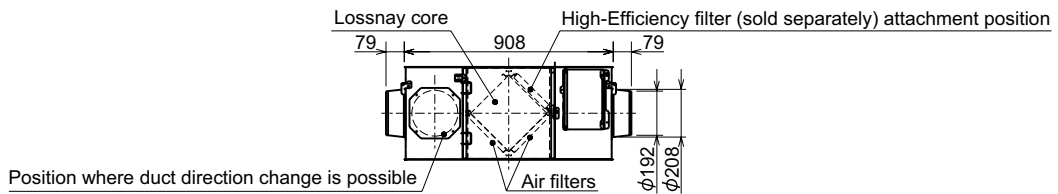
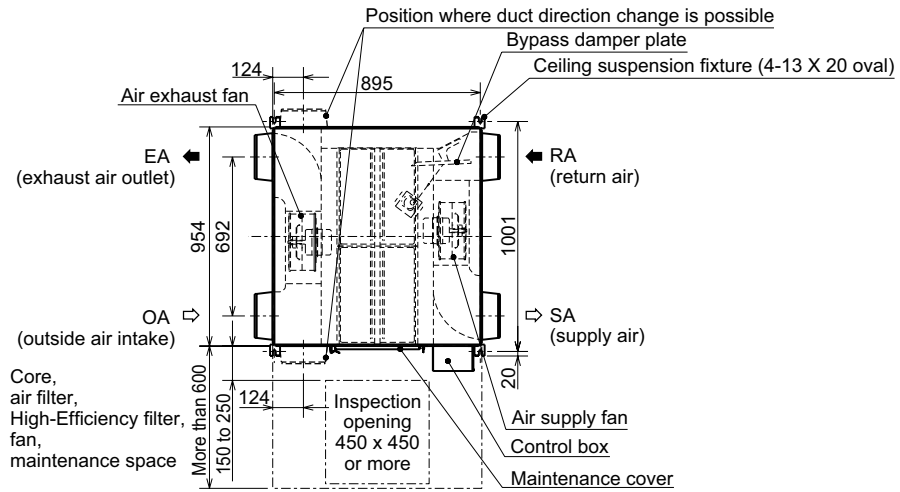
3.12 LGH50-RVX-E
Ceiling concealed ducted units

[BACK TO CONTENTS](#)



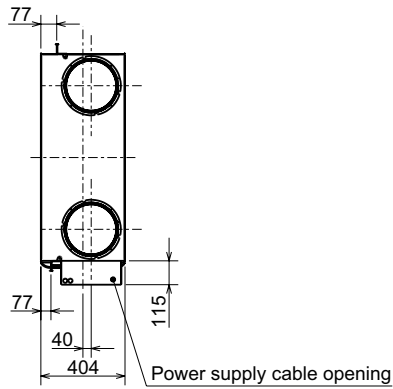
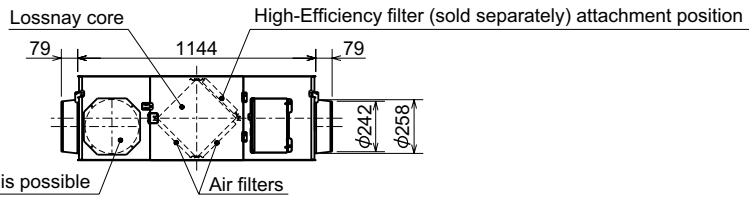
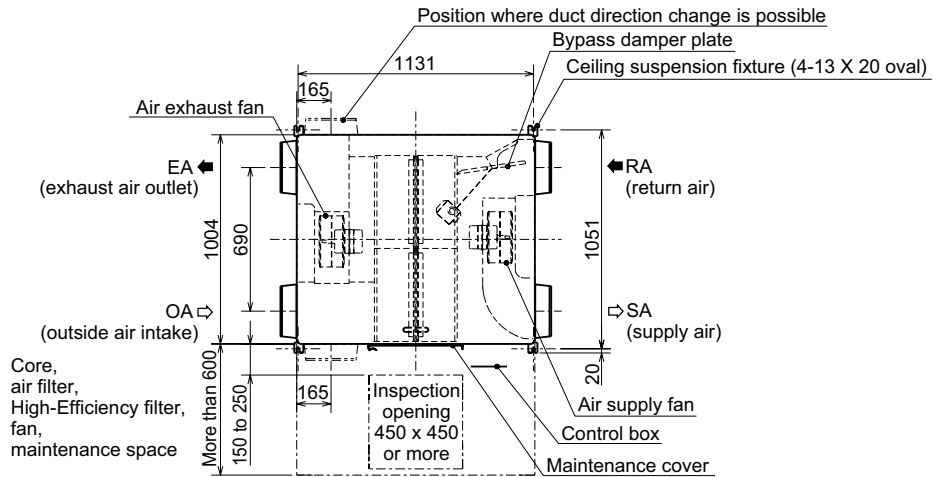
3.13 LGH65-RVX-E
Ceiling concealed ducted units

[BACK TO CONTENTS](#)



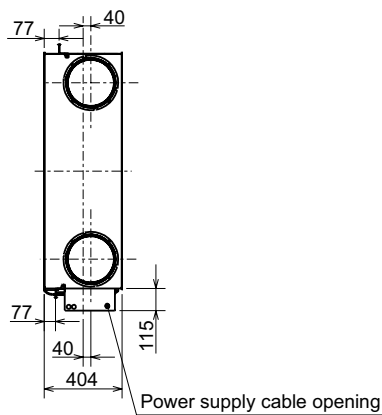
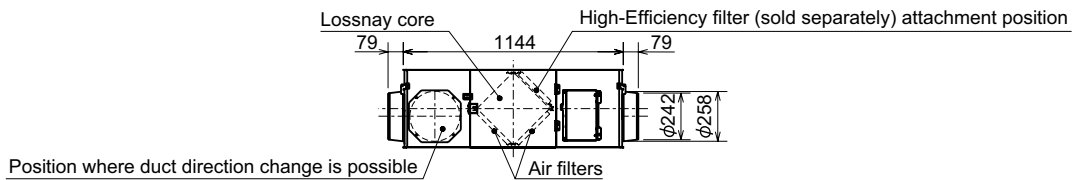
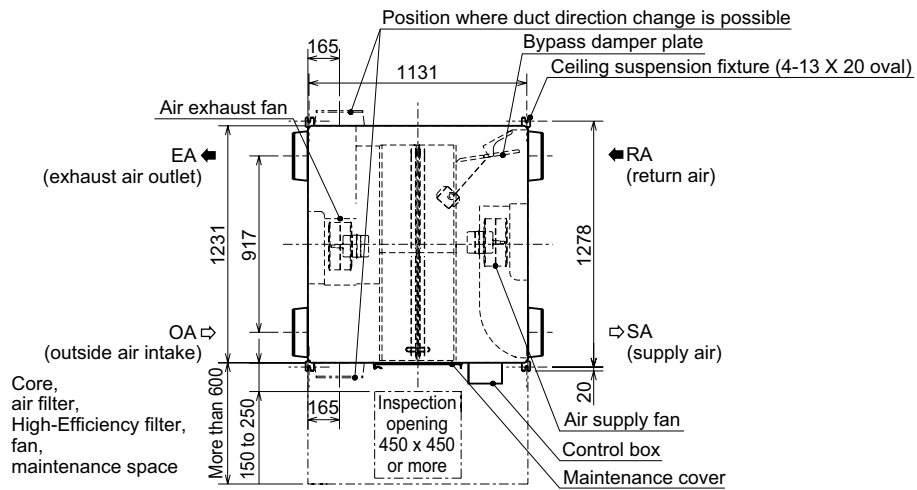
3.14 LGH80-RVX-E
Ceiling concealed ducted units

[BACK TO CONTENTS](#)



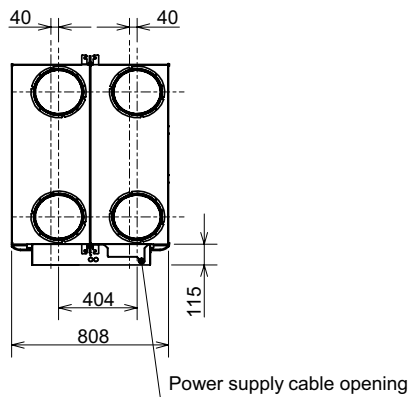
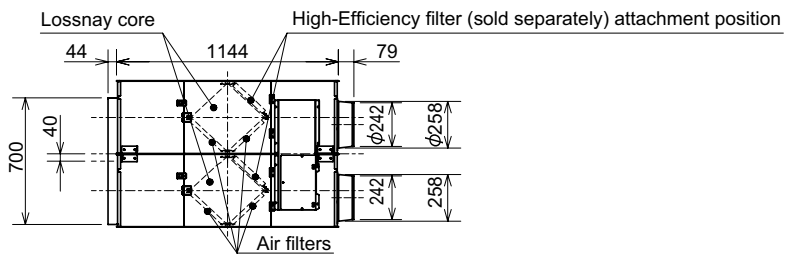
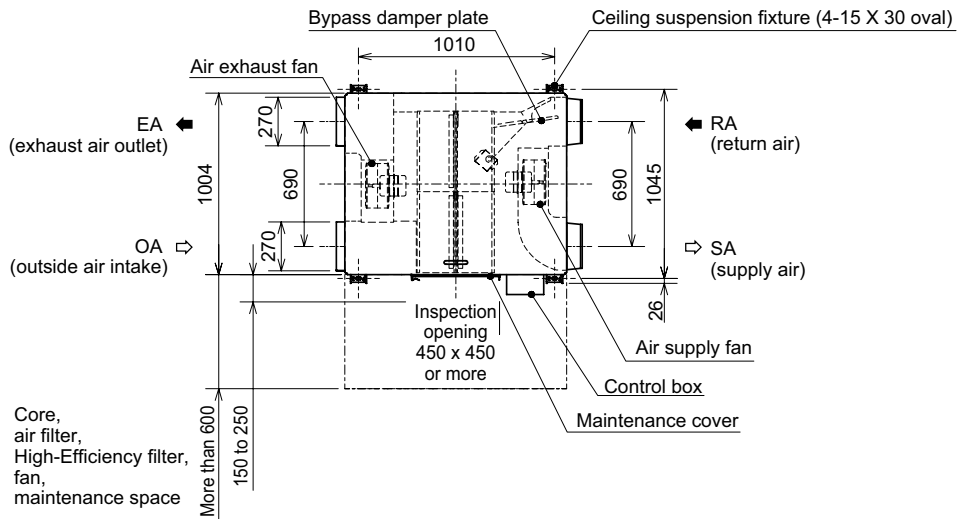
3.15 LGH100-RVX-E
Ceiling concealed ducted units

[BACK TO CONTENTS](#)



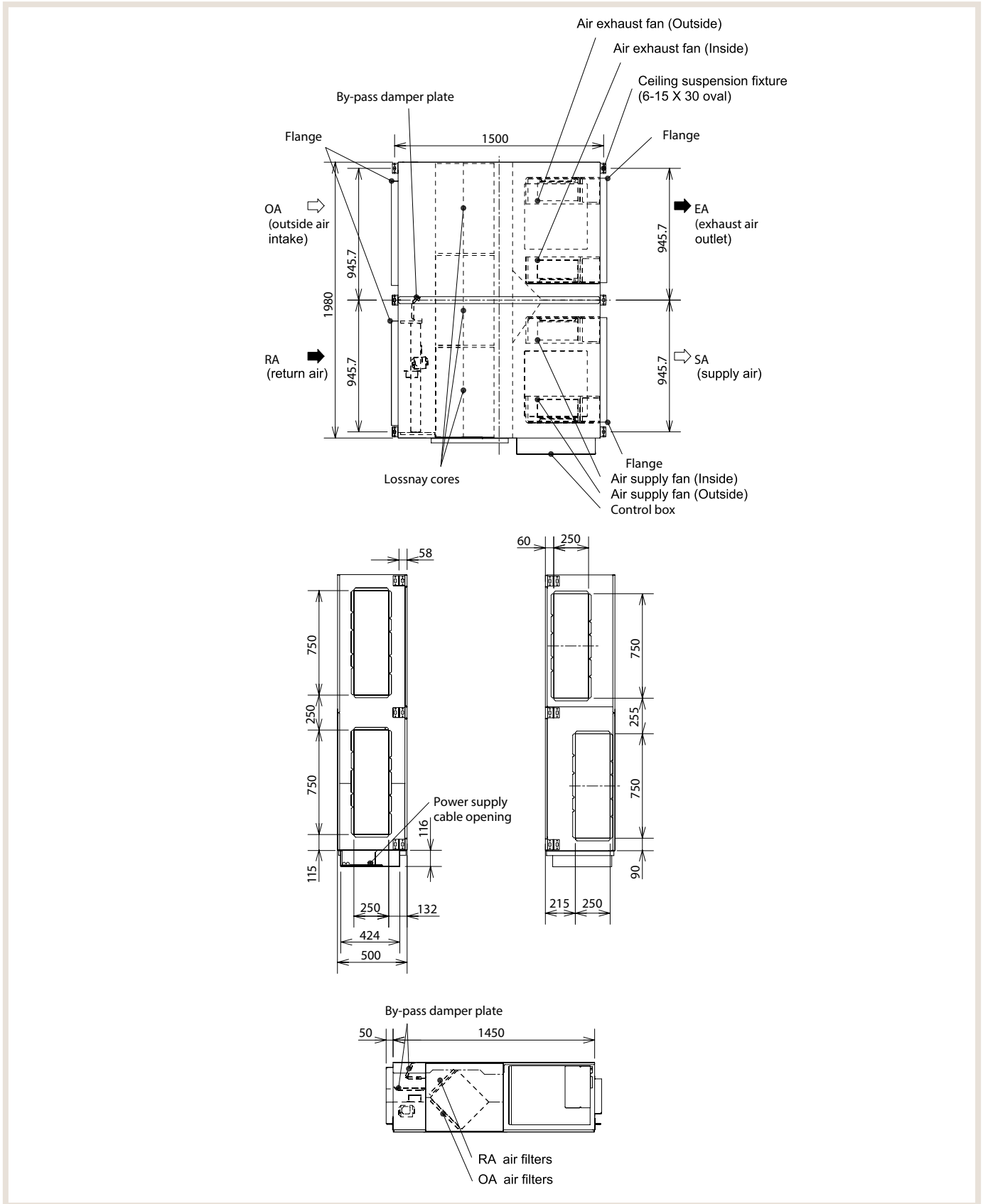
3.16 LGH150-RVX-E
Ceiling concealed ducted units

[BACK TO CONTENTS](#)



3.17 LGH-150-250-RVXT-E
Ceiling concealed ducted units

[BACK TO CONTENTS](#)



Mitsubishi Electric On-site for you

Zentrale

Living Environment Systems
Mitsubishi-Electric-Platz 1
D-40882 Ratingen
Phone +49 2102 486-0
Fax +49 2102 486-1120

Bremen

PLZ 26–28, 49
Borsteler Bogen 27 D
D-22453 Hamburg
Phone +49 40 55620347-0
Fax +49 40 55620347-99
les-bremen@meg.mee.com

Dortmund

PLZ 41, 44, 57–58
Mitsubishi-Electric-Platz 1
D-40882 Ratingen
Phone +49 2102 486-8521
Fax +49 2102 486-4664
les-dortmund@meg.mee.com

Kaiserslautern

PLZ 54–55, 66–69
Seligenstädter Grund 1
D-63150 Heusenstamm
Phone +49 6104 80243-0
Fax +49 6104 80243-29
les-kaiserslautern@meg.mee.com

München

PLZ 80–88
Schelmenwasenstraße 16 – 20
D-70567 Stuttgart
Phone +49 711 327001-610
Fax +49 711 327001-615
les-muenchen@meg.mee.com

Key Account

PLZ 01–99
Mitsubishi-Electric-Platz 1
D-40882 Ratingen
Phone +49 2102 486-4176
Fax +49 2102 486-4664
les-keyaccount@meg.mee.com

Berlin

PLZ 10–18, 39
Hauptstraße 80
D-16348 Wandlitz (Schönwalde)
Phone +49 40 55620347-0
Fax +49 40 55620347-99
les-berlin@meg.mee.com

Köln

PLZ 42, 50–53
Mitsubishi-Electric-Platz 1
D-40882 Ratingen
Phone +49 2102 486-8521
Fax +49 2102 486-4664
les-koeln@meg.mee.com

Stuttgart

PLZ 70–74, 89
Schelmenwasenstraße 16 – 20
D-70567 Stuttgart
Phone +49 711 327001-610
Fax +49 711 327001-615
les-stuttgart@meg.mee.com

Hamburg

PLZ 19–25
Borsteler Bogen 27 D
D-22453 Hamburg
Phone +49 40 55620347-0
Fax +49 40 55620347-99
les-hamburg@meg.mee.com

Dresden

PLZ 01–09, 98–99
Borsteler Bogen 27 D
D-22453 Hamburg
Phone +49 40 55620347-0
Fax +49 40 55620347-99
les-dresden@meg.mee.com

Frankfurt

PLZ 35, 36, 56, 60–65
Seligenstädter Grund 1
D-63150 Heusenstamm
Phone +49 6104 80243-0
Fax +49 6104 80243-29
les-frankfurt@meg.mee.com

Baden-Baden

PLZ 75–79
Schelmenwasenstraße 16 – 20
D-70567 Stuttgart
Phone +49 711 327001-610
Fax +49 711 327001-615
les-badenbaden@meg.mee.com

Hannover

PLZ 29–31, 38
Borsteler Bogen 27 D
D-22453 Hamburg
Phone +49 40 55620347-0
Fax +49 40 55620347-99
les-hannover@meg.mee.com

Düsseldorf

PLZ 40, 45–48
Mitsubishi-Electric-Platz 1
D-40882 Ratingen
Phone +49 2102 486-8521
Fax +49 2102 486-4664
les-duesseldorf@meg.mee.com

Kassel

PLZ 32–34, 37, 59
Mitsubishi-Electric-Platz 1
D-40882 Ratingen
Phone +49 2102 486-8521
Fax +49 2102 486-4664
les-kassel@meg.mee.com

Nürnberg

PLZ 90–97
Schelmenwasenstraße 16 – 20
D-70567 Stuttgart
Phone +49 711 327001-610
Fax +49 711 327001-615
les-nuernberg@meg.mee.com

Our air conditioning systems and heat pumps contain fluorinated greenhouse gases R410A, R134a and R32.
For more information, please refer to the relevant operation manuals.

No liability is assumed for the correctness of the information and illustrations provided. Not all products are available in all countries.